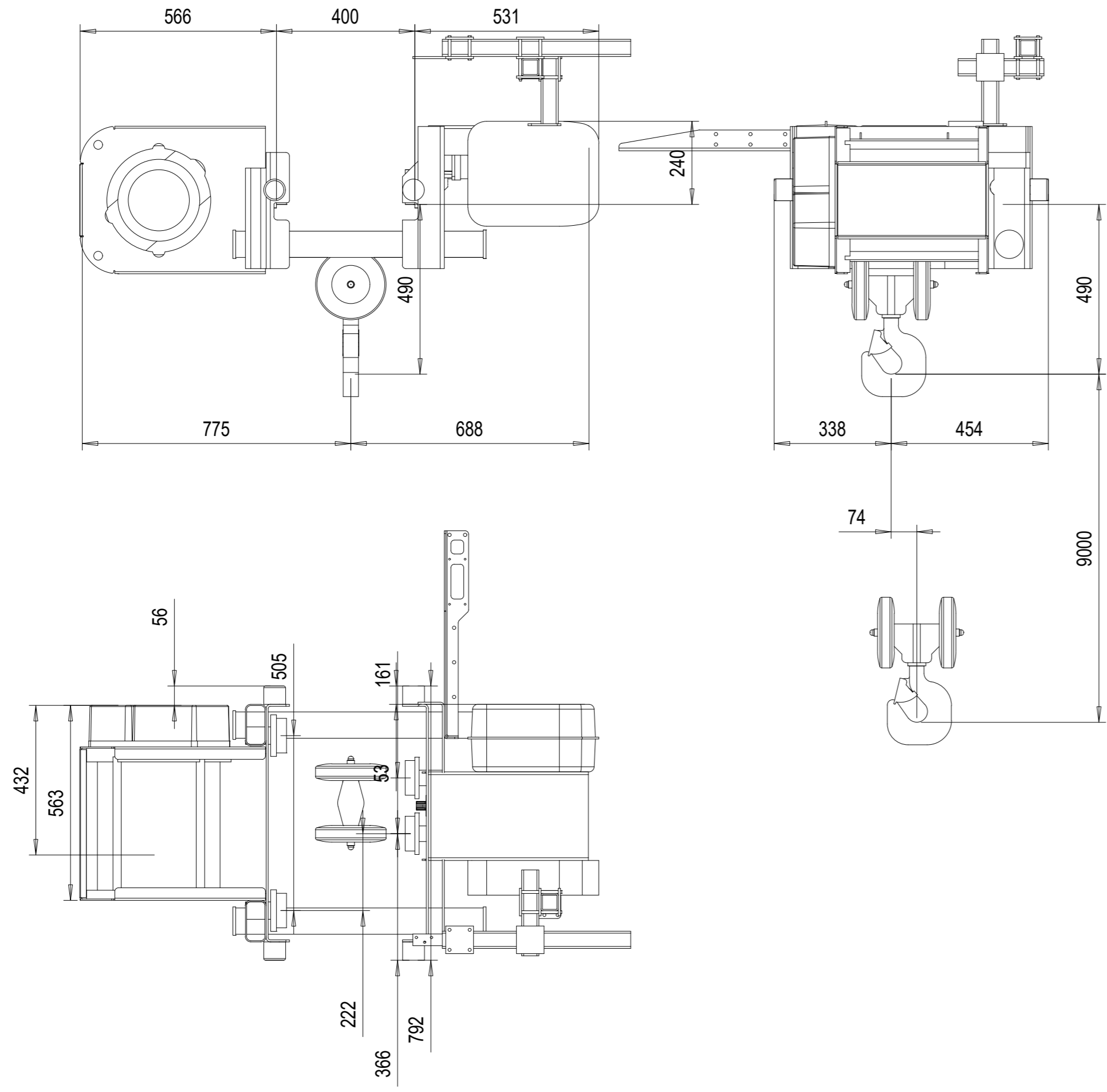


5-22.5-9.5-O

REV	CHANGE DESCRIPTION	ECN	DATE	REVISED BY	APPROVED BY
-----	--------------------	-----	------	------------	-------------



TECHNICAL DATA

LOAD	: 5000 kg
LIFTING HEIGHT	: 9 m
HOISTING SPEED	: 5/0,83 m/min 2-speed
TRAVERSING SPEED	: 20/5 m/min 2-speed pole change
WEIGHT OF HOIST	: 330 kg
HOIST GROUP	: ISO M5
MAIN / CONTROL VOLTAGE	: 380 / 48 V; 50 Hz

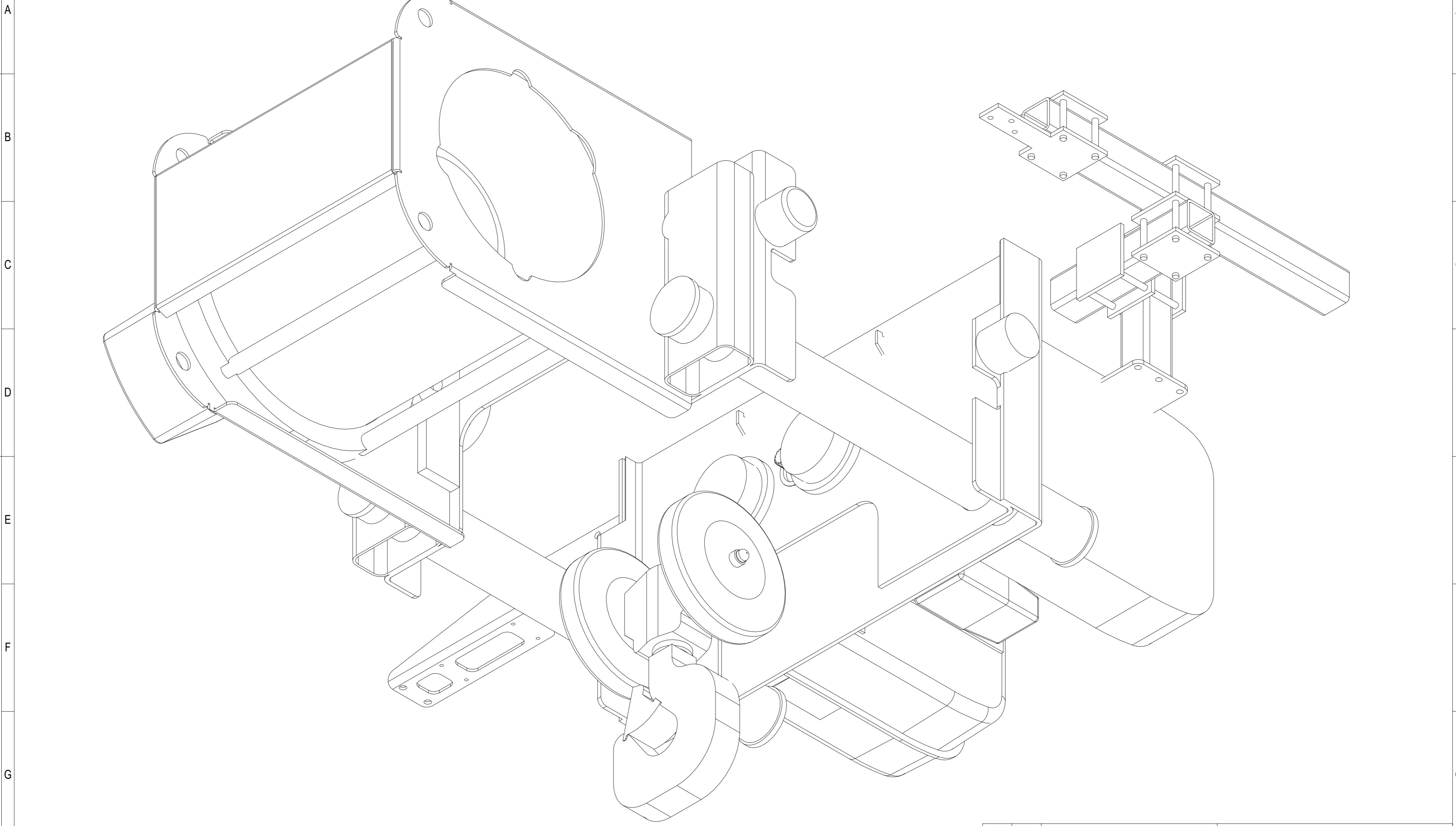
Pos	Amount	Description	Specification
		DMA/SCG	DAS / 2.98.18
		Design	Vx proj
		27.03.2019	
		Date	
		Schwäbisch Hall	
		Dept	
		SWF KRANTECHNIK	
			BSC5t x 22.5m Hol:9m
			1:12.5
			M-film
			5-22.5-9.5-O
			Issue

SWF Krantechnik reserves the right to alter or amend the above information without notice.
 The document and the information contained herein is the exclusive property of SWF Krantechnik and represents a non-public,
 confidential and proprietary trade secret that may not be reproduced, disclosed to third parties, altered or otherwise employed in any
 manner whatsoever without the express written consent of SWF Krantechnik GmbH. Copyright © SWF Krantechnik. All rights reserved.

1 2 3 4 5 6 7 8 9 10 11 12

REV	CHANGE DESCRIPTION	ECN	DATE	REVISED BY	APPROVED BY
-----	--------------------	-----	------	------------	-------------

5-22.5-9.5-O



SWF Kramtechnik reserves the right to alter or amend the above information without notice. This document and the information contained herein, is the exclusive property of SWF Kramtechnik and represents a non-patented commercial and industrial process. Any reproduction, copying, or distribution of this document, in any form or by any means, without the express written consent of SWF Kramtechnik GmbH, Copyright © SWF Kramtechnik. All rights reserved.

Pos	Amount	Description	Specification		
		DMA/SCG			DAS / 2.98.18
		Design	Chd	Appd	Ref drawing
		27.03.2019	BSC5t x 22.5m Hol:9m		
		Date			
		Schwäbisch Hall			
		Dept			
		SWF KRANTECHNIK	5-22.5-9.5-O		
			1:2.5		
			M-film		
			Issue		

1 2 3 4 5 6 7 8 9 10 11 12