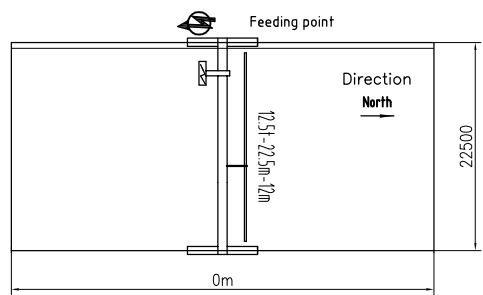
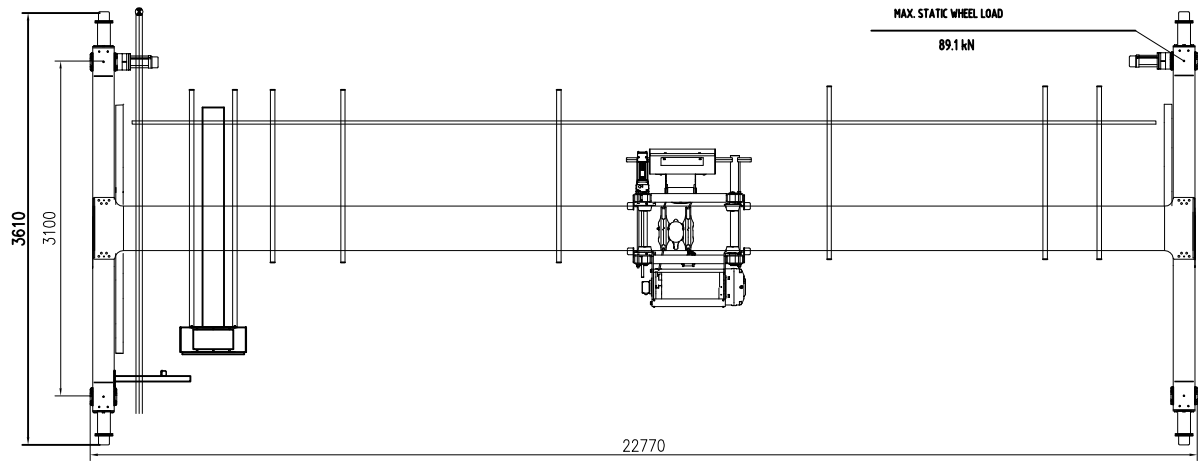


TECHNICAL DATA

LOAD.....	12.5t
SPAN.....	22.5m
LIFTING HEIGHT.....	12m
HOISTING SPEED.....	4/0.7 m/min 2-SPEED
TRAVERSING SPEED.....	0-20 m/min STEPLESS
TRAVELLING SPEED.....	0-32 m/min STEPLESS
WEIGHT OF TROLLEY.....	0.74t
WEIGHT OF CRANE.....	9.9t
POWER SUPPLY.....	380V/48V/50Hz
CRANE GROUP.....	FEM A5
HOIST GROUP.....	M4(FEM 1Am)
BRIDGE TRAVEL GROUP.....	MS(FEM 2m)
SUPPLY POWER.....	12.3kW
TOLERANCES ACC. TO ISO/FEM STANDARD	
BRIDGE PAINT.....	E120/RAL1028
DRAWING NOT IN SCALE	



PRELIMINARY DRAWING OFFER ONLY.



MAX. STATIC WHEEL LOAD
89.1 kN

							Name		RU02	
							Material code		Part Name	
Rev.	Pcs.	Area	Mod.Index	Modified	Date		Stage	Weight(Kg)	Issue	KS12.5t x 22.5m x 12m-A5
Designed	RU02	2024/03/22	Standardized		2024/03/22			9900	A0	
Checked			Approved		2024/03/22					
Verified		2024/03/22			Size					
Processed			Scale	1:35	A2		Total	Page		DWG No.