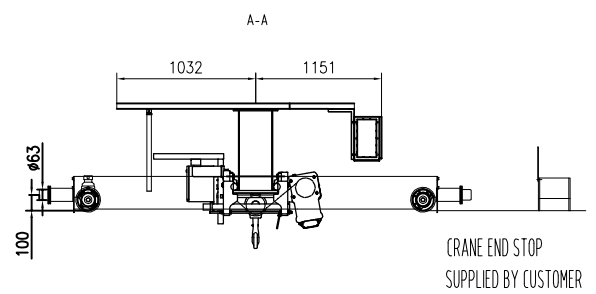
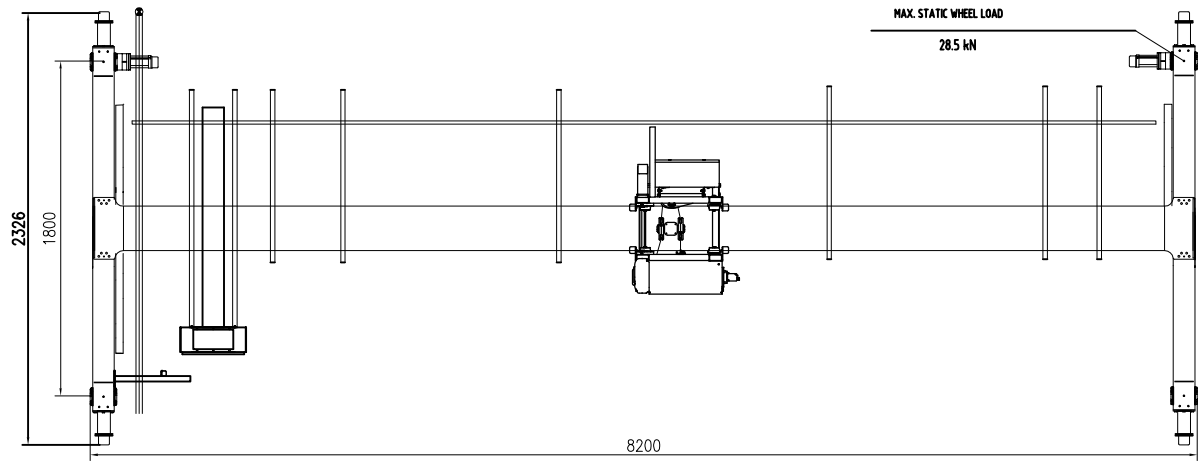
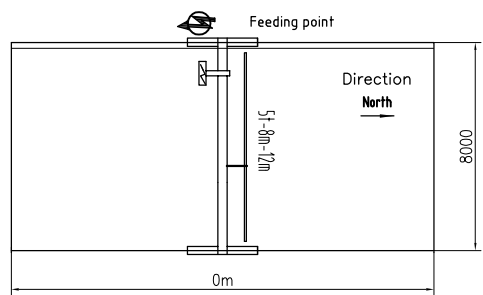


RAL 50:30 Helye (the highest point of the Encarriage is from the rail beam +5)



TECHNICAL DATA

LOAD.....	5t
SPAN.....	8m
LIFTING HEIGHT.....	12m
HOISTING SPEED.....	5/0.8 m/min 2-SPEED
TRAVERSING SPEED.....	0-20 m/min STEPLESS
TRAVELLING SPEED.....	0-32 m/min STEPLESS
WEIGHT OF TROLLEY.....	0.39t
WEIGHT OF CRANE.....	1.7t
POWER SUPPLY.....	380V/48V/50Hz
CRANE GROUP.....	FEM A5
HOIST GROUP.....	MSIFEM 2m)
BRIDGE TRAVEL GROUP.....	MSIFEM 2m)
SUPPLY POWER.....	6.25kW
TOLERANCES ACC. TO ISO/FEM STANDARD	
BRIDGE PAINT.....	E120/RAL1028
DRAWING NOT IN SCALE	



PRELIMINARY DRAWING OFFER ONLY.

							Name		RU02	
							Material code		Part Name	
Rev.	Pcs.	Area	Mod.Index	Modified	Date					
Designed	RU02	2024/02/08	Standardized		2024/02/08		Stage	Weight(kg)	Issue	K55t x 8m x 12m-A5
Checked			Approved		2024/02/08			1700	A0	
Verified		2024/02/08			Size					
Processed			Scale	1:35	A2	Total	Page	DWG No.		