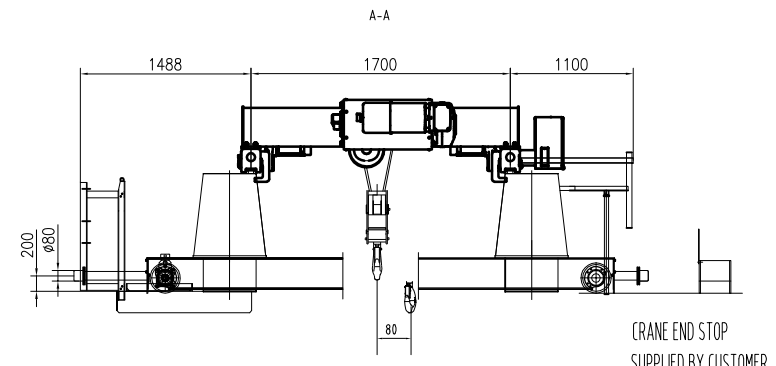
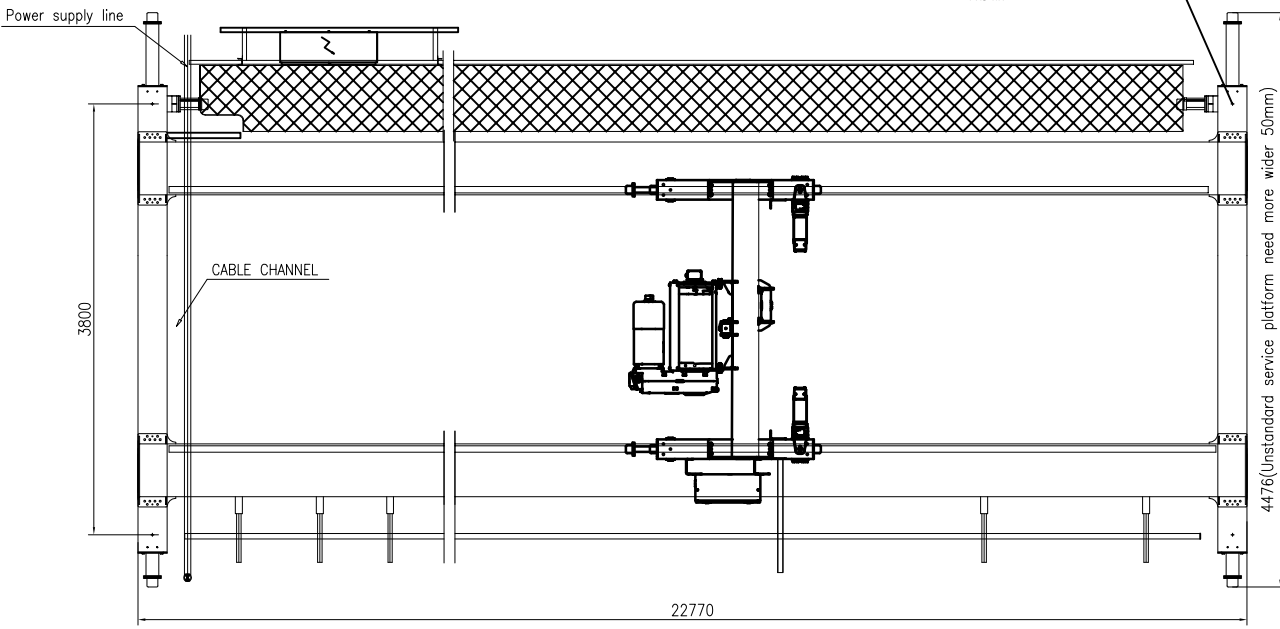


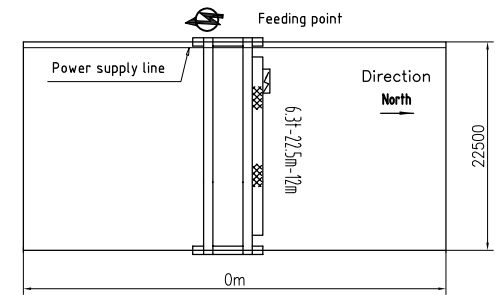
RAIL 50x30 Note: The lowest point of the Endcarriage is from the rail beam=16

MAX. STATK WHEEL LOAD  
67.3 kN



TECHNICAL DATA

LOAD.....	6.3t
SPAN.....	22.5m
LIFTING HEIGHT.....	12m
HOISTING SPEED.....	8/13 m/min 2-SPEED
TRAVERSING SPEED.....	0-20 m/min STEPLESS
TRAVELLING SPEED.....	0-32 m/min STEPLESS
WEIGHT OF TROLLEY.....	0.93t
WEIGHT OF CRANE.....	12.2t
POWER SUPPLY.....	380V/48V/50Hz
CRANE GROUP.....	FEM A5
HOIST GROUP.....	M6(FEM 3m)
BRIDGE TRAVEL GROUP.....	M5(FEM 2m)
SUPPLY POWER.....	15.5kW
TOLERANCES ACC. TO ISO/FEM STANDARD	
BRIDGE PAINT:	E120/RAL1028
DRAWING NOT IN SCALE	



PRELIMINARY DRAWING/OFFER ONLY.

Name						RU02		
Material code						Part Name		
Rev.	Pts.	Area	Mod.Index	Modified	Date	Stage	Weight(Kg)	Issue
Designed	RU02	2024/03/20	Standardized		2024/03/20		12200	A0
Checked			Approved					
Verified		2024/03/20			Size			
Processed			Scale	1:35	A2	Total	Page	DWG No.

