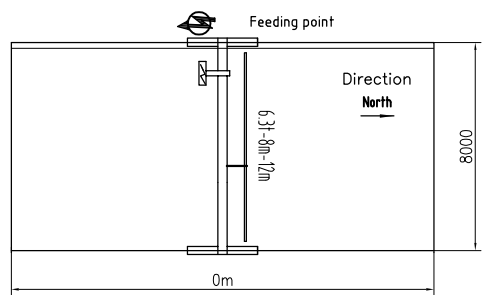
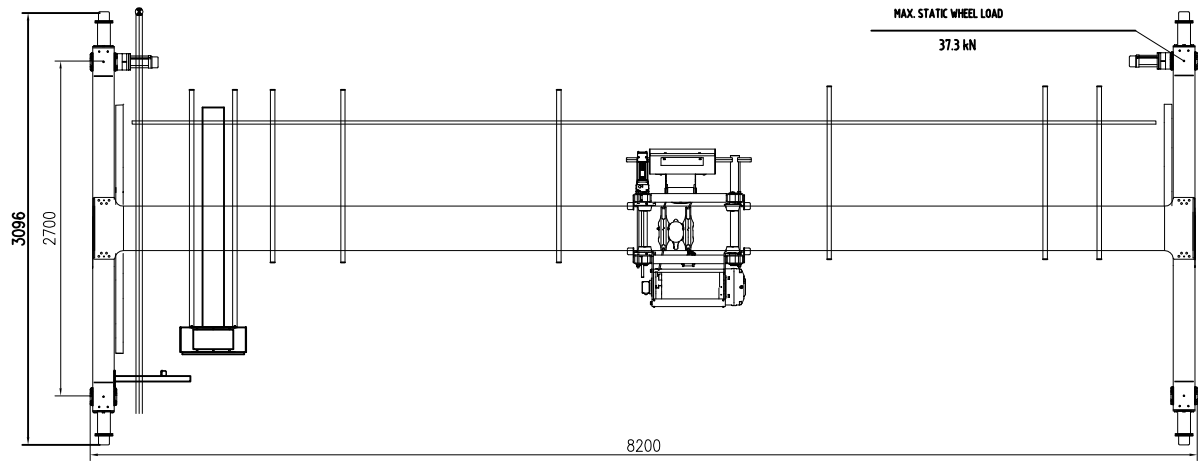


**TECHNICAL DATA**

LOAD.....	6.3t
SPAN.....	8m
LIFTING HEIGHT.....	12m
HOISTING SPEED.....	4/0.7 m/min 2-SPEED
TRAVERSING SPEED.....	0-20 m/min STEPLESS
TRAVELLING SPEED.....	0-32 m/min STEPLESS
WEIGHT OF TROLLEY.....	0.74t
WEIGHT OF CRANE.....	2.8t
POWER SUPPLY.....	380V/48V/50Hz
CRANE GROUP.....	FEM A5
HOIST GROUP.....	M6(FEM 3m)
BRIDGE TRAVEL GROUP.....	M5(FEM 2m)
SUPPLY POWER.....	9.2kW
TOLERANCES ACC. TO ISO/FEM STANDARD	
BRIDGE PAINT.....	E120/RAL1028
DRAWING NOT IN SCALE	



							Name		RU02	
							Material code		Part Name	
Rev.	Pcs.	Area	Mod.Index	Modified	Date	Stage	Weight(Kg)	Issue	KS6.3t x 8m x 12m - A5	
Designed	RU02	2024/03/20	Standardized		2024/03/20					
Checked			Approved		2024/03/20		2800	A0		
Verified		2024/03/20				Size				
Processed			Scale	1:35	A2	Total	Page	DWG No.		