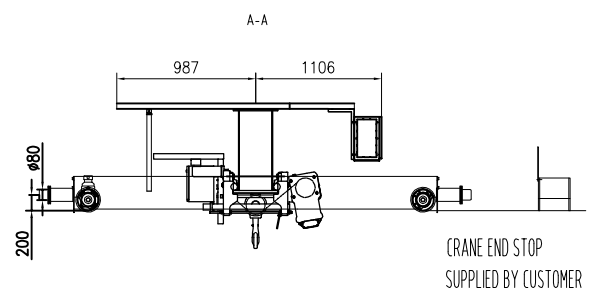
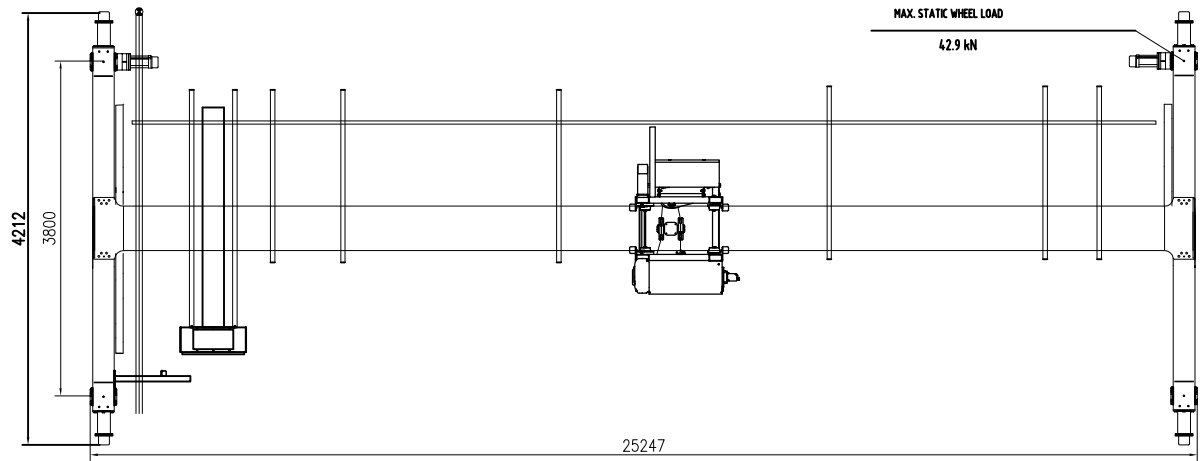
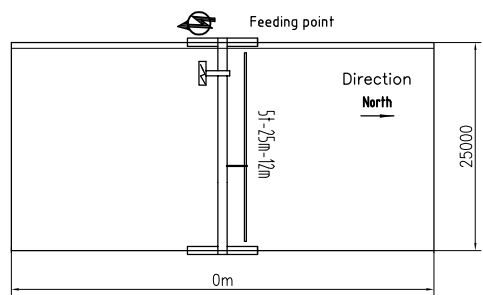


Detail Z
RAL 50:30 He10 The highest point of the Encasement is from the rail beam +5



TECHNICAL DATA

LOAD.....	5t
SPAN.....	25m
LIFTING HEIGHT.....	12m
HOISTING SPEED.....	5/0.8 m/min 2-SPEED
TRAVERSING SPEED.....	0-20 m/min STEPLESS
TRAVELLING SPEED.....	0-32 m/min STEPLESS
WEIGHT OF TROLLEY.....	0.39t
WEIGHT OF CRANE.....	6.9t
POWER SUPPLY.....	380V/48V/50Hz
CRANE GROUP.....	FEM A5
HOIST GROUP.....	MSIFEM 2m)
BRIDGE TRAVEL GROUP.....	MSIFEM 2m)
SUPPLY POWER.....	6.95kW
TOLERANCES ACC. TO ISO/FEM STANDARD	
BRIDGE PAINT.....	E120/RAL1028
DRAWING NOT IN SCALE	



PRELIMINARY DRAWING OFFER ONLY.

							Name		RU02	
							Material code		Part Name	
Rev.	Pcs.	Area	Mod.Index	Modified	Date		Stage	Weight(Kg)	Issue	KS5t x 25m x 12m - A5
Designed	RU02	2024/03/20	Standardized	2024/03/20			6900	A0		
Checked			Approved	2024/03/20						
Verified		2024/03/20				Size				
Processed			Scale	1:35	A2	Total	Page	DWG No.		