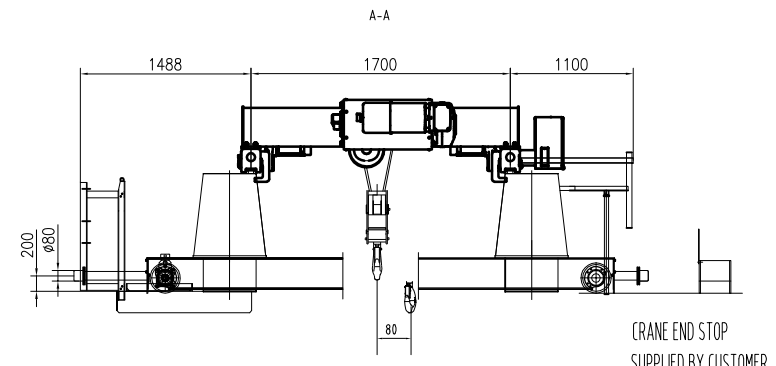
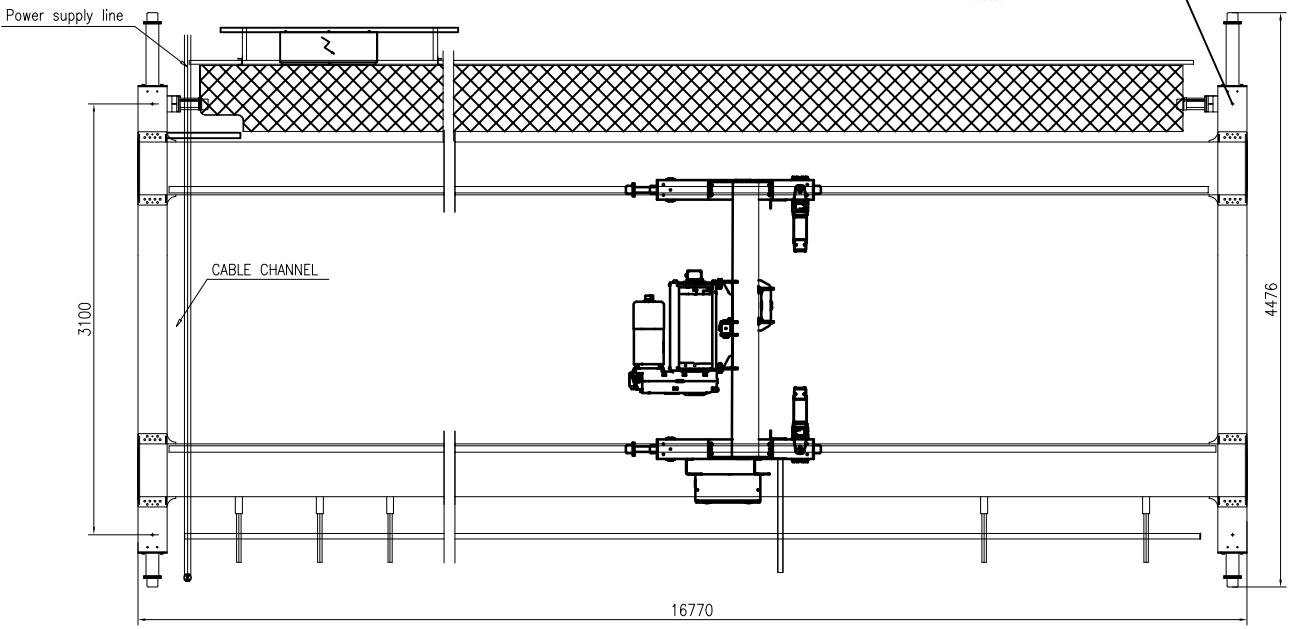


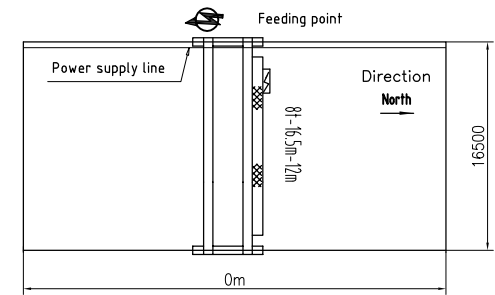
RAIL 50x30 Note: The lowest point of the Endcarriage is from the rail beam=12

MAX. STATIC WHEEL LOAD
66.1 kN



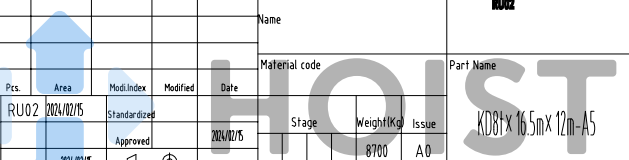
TECHNICAL DATA

LOAD.....	8t
SPAN.....	16.5m
LIFTING HEIGHT.....	12m
HOISTING SPEED.....	5/0.8 m/min 2-SPEED
TRAVERSING SPEED.....	0-20 m/min STEPLESS
TRAVELLING SPEED.....	0-32 m/min STEPLESS
WEIGHT OF TROLLEY.....	0.93t
WEIGHT OF CRANE.....	8.7t
POWER SUPPLY.....	380V/48V/50Hz
CRANE GROUP.....	FEM A5
HOIST GROUP.....	M6(FEM 3m)
BRIDGE TRAVEL GROUP.....	M5(FEM 2m)
SUPPLY POWER.....	10.1kW
TOLERANCES ACC. TO ISO/FEM STANDARD	
BRIDGE PAINT:	E120/RAL1028
DRAWING NOT IN SCALE	



PRELIMINARY DRAWING/OFFER ONLY.

Name						RU02		
Material code						Part Name		
Rev.	Pts.	Area	Mod.Index	Modified	Date	Stage	Weight(kg)	Issue
Designed		RU02		Standardized				
Checked				Approved	2024/02/15		8700	A0
Verified		2024/02/15		Size				
Processed			Scale	1:35	A2	Total	Page	DWG No.



KD01x16.5m x 12m-A5