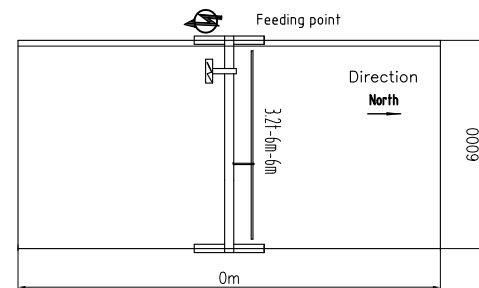
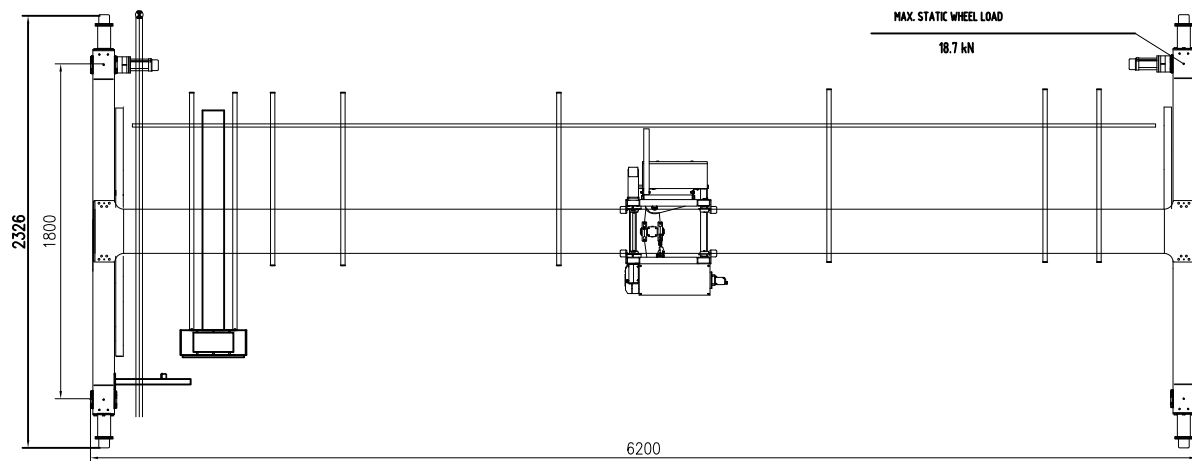


TECHNICAL DATA

LOAD.....	3.2t
SPAN.....	6m
LIFTING HEIGHT.....	6m
HOISTING SPEED.....	5/0.8 m/min 2-SPEED
TRAVERSING SPEED.....	0-20 m/min STEPLESS
TRAVELLING SPEED.....	0-32 m/min STEPLESS
WEIGHT OF TROLLEY.....	0.25t
WEIGHT OF CRANE.....	1.3t
POWER SUPPLY.....	380V/48V/50Hz
CRANE GROUP.....	FEM A5
HOIST GROUP.....	MS(FEM 2m)
BRIDGE TRAVEL GROUP.....	MS(FEM 2m)
SUPPLY POWER.....	4.95kW
TOLERANCES ACC. TO ISO/FEM STANDARD	
BRIDGE PAINT.....	E120/RAL1028
DRAWING NOT IN SCALE	



PRELIMINARY DRAWING OFFER ONLY.



Name						RU02		
Material code						Part Name		
Rev.	Pcs.	Area	Mod.Index	Modified	Date	Stage	Weight(Kg)	Issue
Designed	RU02	2023/08/20	Standardized		2023/08/20		1300	A0
Checked			Approved					
Verified		2023/08/20			Size			
Processed			Scale	1:35	A2	Total	Page	DWG No.