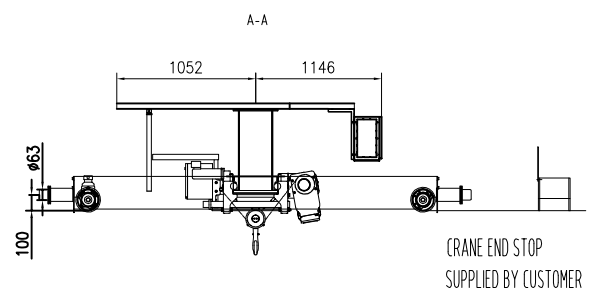
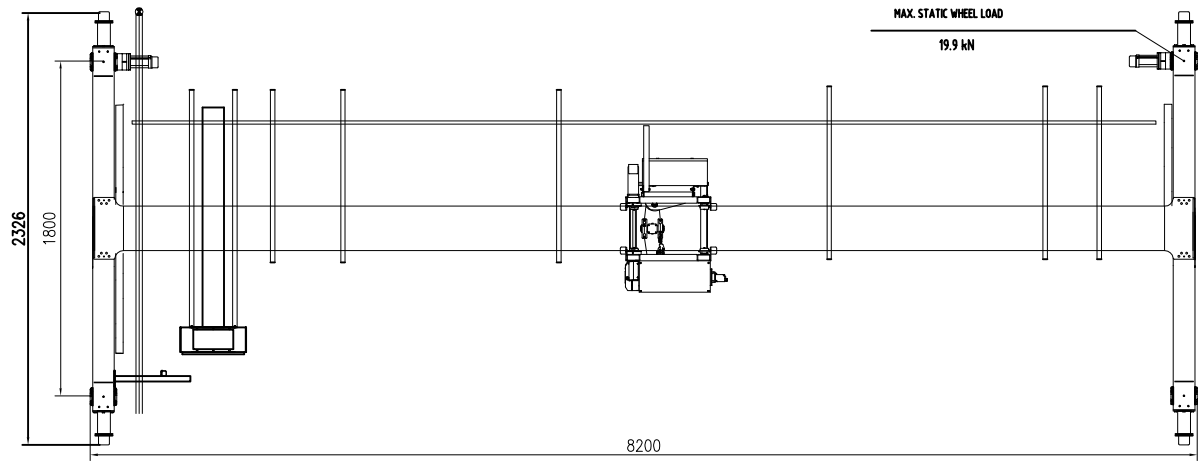
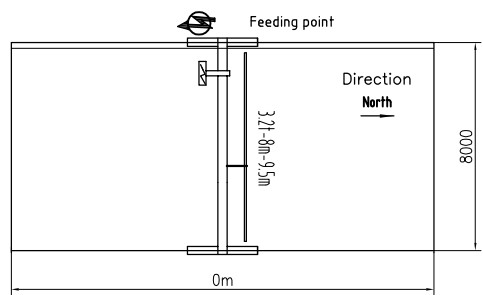


RAL 50x30 He16 The highest point of the Encarriage is from the rail beam +5



TECHNICAL DATA

LOAD.....	3.2t
SPAN.....	8m
LIFTING HEIGHT.....	9.5m
HOISTING SPEED.....	5/0.8 m/min 2-SPEED
TRAVERSING SPEED.....	0-20 m/min STEPLESS
TRAVELLING SPEED.....	0-32 m/min STEPLESS
WEIGHT OF TROLLEY.....	0.27t
WEIGHT OF CRANE.....	1.6t
POWER SUPPLY.....	380V/48V/50Hz
CRANE GROUP.....	FEM A5
HOIST GROUP.....	MSIFEM 2m
BRIDGE TRAVEL GROUP.....	MSIFEM 2m
SUPPLY POWER.....	4.95kW
TOLERANCES ACC. TO ISO/FEM STANDARD	
BRIDGE PAINT:	E120/RAL1028
DRAWING NOT IN SCALE	



PRELIMINARY DRAWING OFFER ONLY.

						Name		RU02	
						Material code		Part Name	
Rev.	Pcs.	Area	Mod.Index	Modified	Date				
Designed	RU02	2024/02/08	Standardized		2024/02/08	Stage	Weight(kg)	Issue	KS321X 8m x 9.5m - A5
Checked			Approved		2024/02/08		1600	A0	
Verified		2024/02/08				Size			
Processed			Scale	1:35	A2	Total	Page	DWG No.	