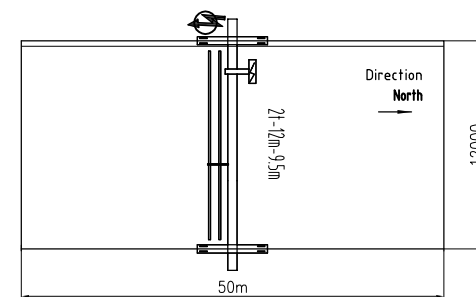
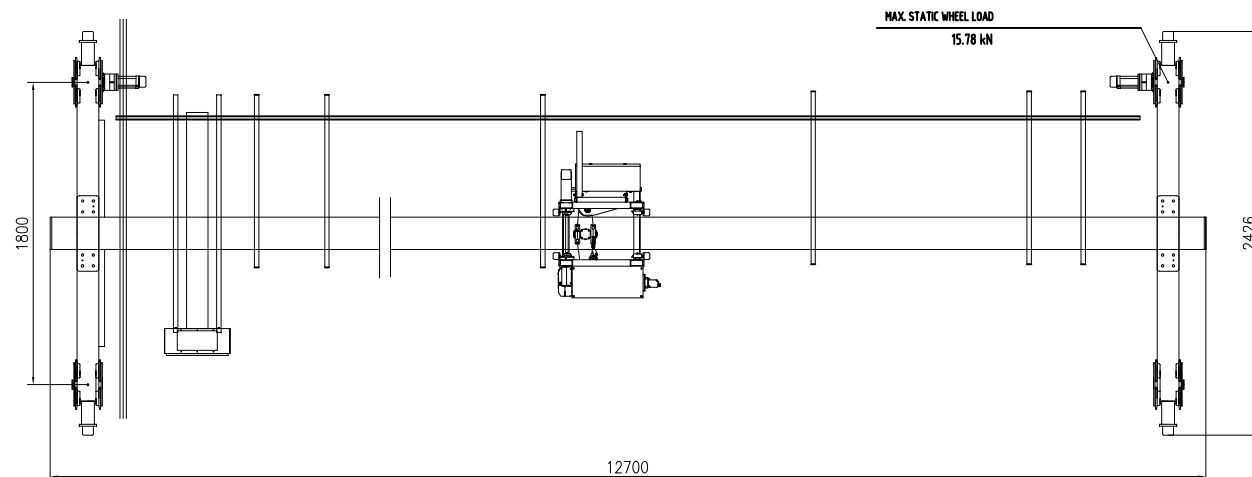


### TECHNICAL DATA

LOAD.....	2t
SPAN.....	12m
LIFTING HEIGHT.....	9.5m
HOISTING SPEED.....	5/0.8 m/min 2-SPEED
TRAVERSING SPEED.....	0-20 m/min STEPLESS
TRAVELLING SPEED.....	0-20 m/min STEPLESS
WEIGHT OF TROLLEY.....	0.26t
WEIGHT OF CRANE.....	1.9t
POWER SUPPLY.....	380V/48V/50Hz
CRANE GROUP.....	FEM A5
HOIST GROUP.....	M6(FEM 3m)
BRIDGE TRAVEL GROUP.....	M5(FEM 2m)
SUPPLY POWER.....	2.75kW
TOLERANCES ACC. TO ISO/FEM STANDARD	
BRIDGE PAINT: E120/RAL1028	
DRAWING NOT IN SCALE	



PRELIMINARY DRAWING, OFFER ONLY.

							Name		RU02	
							Material code		Part Name	
Rev.	Pts.	Area	Mod.Index	Modified			Stage	Weight(Kg)	Issue	K021x12m x 9.5m - A5
Designed		RU02	2024/03/21	Standardized						
Checked				Approved						
Verified				2024/03/21				1900	A0	
Processed				2024/03/21	Size		Total	Page	DWG No.	