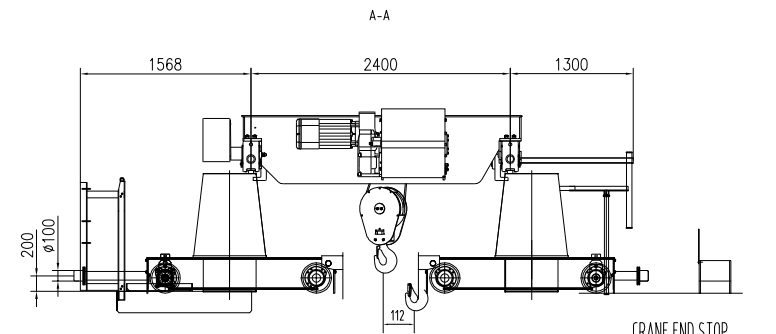
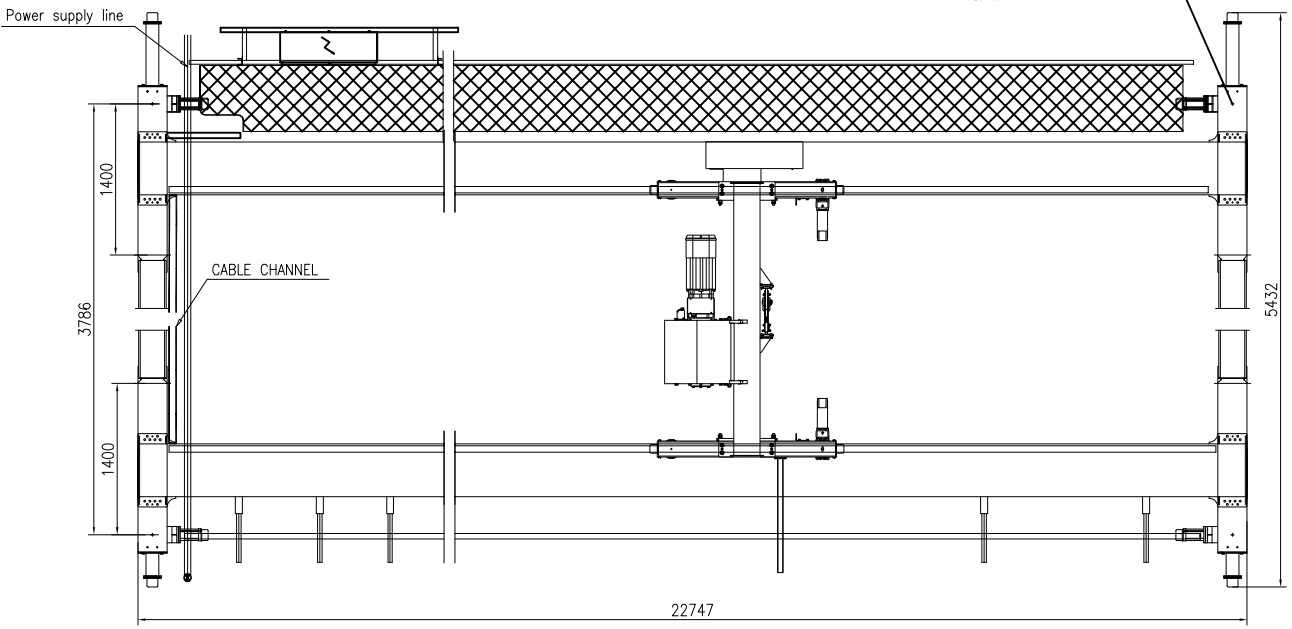


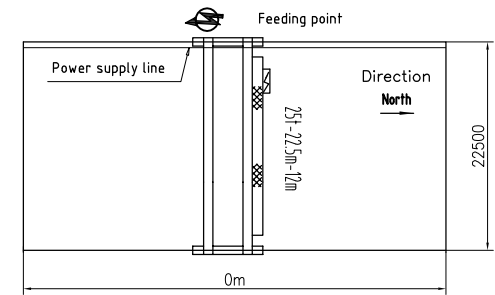
MAX. STATIC WHEEL LOAD
93.7 kN



CRANE END STOP
SUPPLIED BY CUSTOMER

TECHNICAL DATA

LOAD.....	25t
SPAN.....	22.5m
LIFTING HEIGHT.....	12m
HOISTING SPEED.....	2.5/0.4 m/min 2-SPEED
TRAVERSING SPEED.....	0-20 m/min STEPLESS
TRAVELLING SPEED.....	0-32 m/min STEPLESS
WEIGHT OF TROLLEY.....	194t
WEIGHT OF CRANE.....	15.5t
POWER SUPPLY.....	380V/48V/50Hz
CRANE GROUP.....	FEM A5
HOIST GROUP.....	MS(FEM 2m)
BRIDGE TRAVEL GROUP.....	MS(FEM 2m)
SUPPLY POWER.....	20.7kW
TOLERANCES ACC. TO ISO/FEM STANDARD	
BRIDGE PAINT:	E120/RAL1028
DRAWING NOT IN SCALE	



PRELIMINARY DRAWING/OFFER ONLY.

						Name		RU02	
						Material code		Part Name	
Rev.	Pcs.	Area	Mod.Index	Modified	Date	Stage	Weight(Kg)	Issue	K025tX22.5mX12m-A5
Designed		RU02	2024/02/12	Standardized					
Checked				Approved	2024/02/12		15500	A0	
Verified		2024/02/12							
Processed			Scale	1:35	A2	Total	Page	DWG No.	