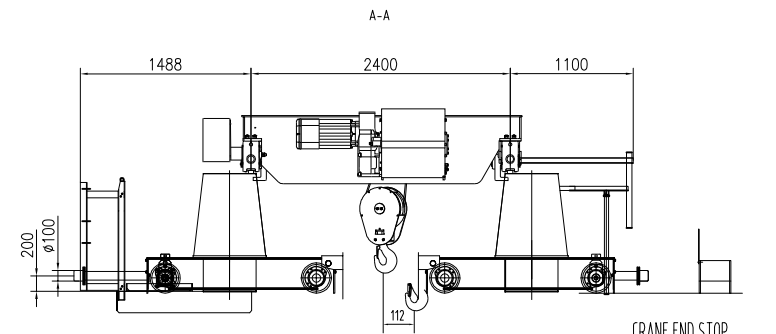
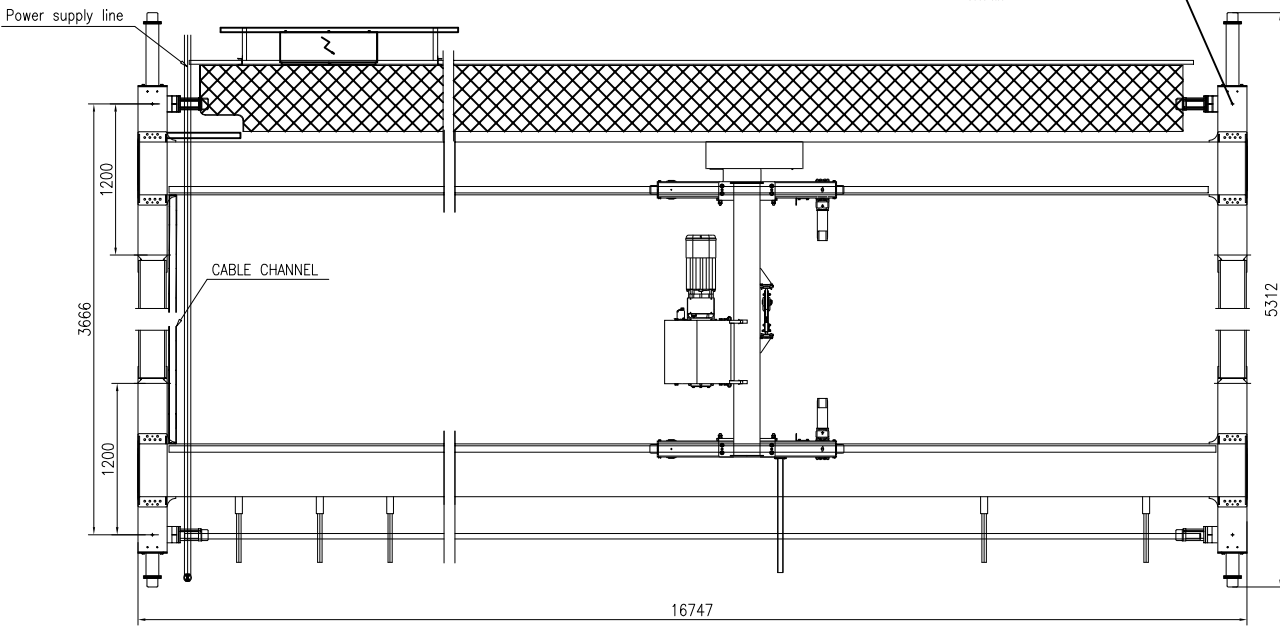
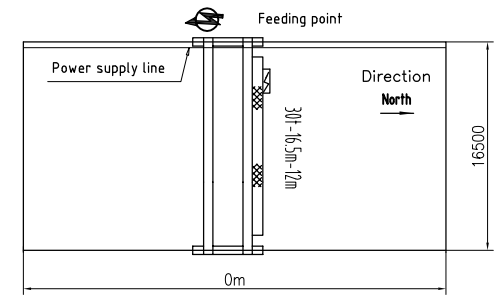


MAX. STATIC WHEEL LOAD
89.7 kN



TECHNICAL DATA

LOAD.....	30t
SPAN.....	16.5m
LIFTING HEIGHT.....	12m
HOISTING SPEED.....	2.5/0.4 m/min 2-SPEED
TRAVERSING SPEED.....	0-20 m/min STEPLESS
TRAVELLING SPEED.....	0-32 m/min STEPLESS
WEIGHT OF TROLLEY.....	194t
WEIGHT OF CRANE.....	114t
POWER SUPPLY.....	380V/48V/50Hz
CRANE GROUP.....	FEM A5
HOIST GROUP.....	M4(FEM 1Am)
BRIDGE TRAVEL GROUP.....	M5(FEM 2m)
SUPPLY POWER.....	20.7kW
TOLERANCES ACC. TO ISO/FEM STANDARD	
BRIDGE PAINT:	E120/RAL1028
DRAWING NOT IN SCALE	



PRELIMINARY DRAWING/OFFER ONLY.

Name						RU02	
Material code						Part Name	
Rev.	Pcs.	Area	Mod. Index	Modified	Date	Stage	Weight (Kg)
Designed		RU02	Standardized		2024/02/15		
Checked			Approved		2024/02/15		
Verified		2024/02/15					
Processed			Scale	1:35	A2	Total	Page
Name						K0301x16.5m x 12m-A5	
DWG No.						A0	