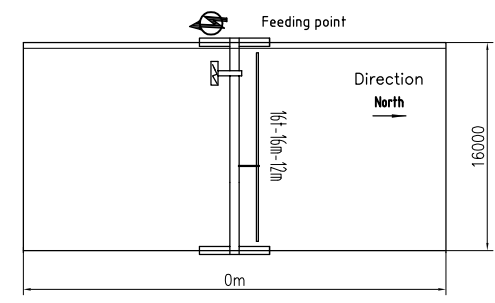
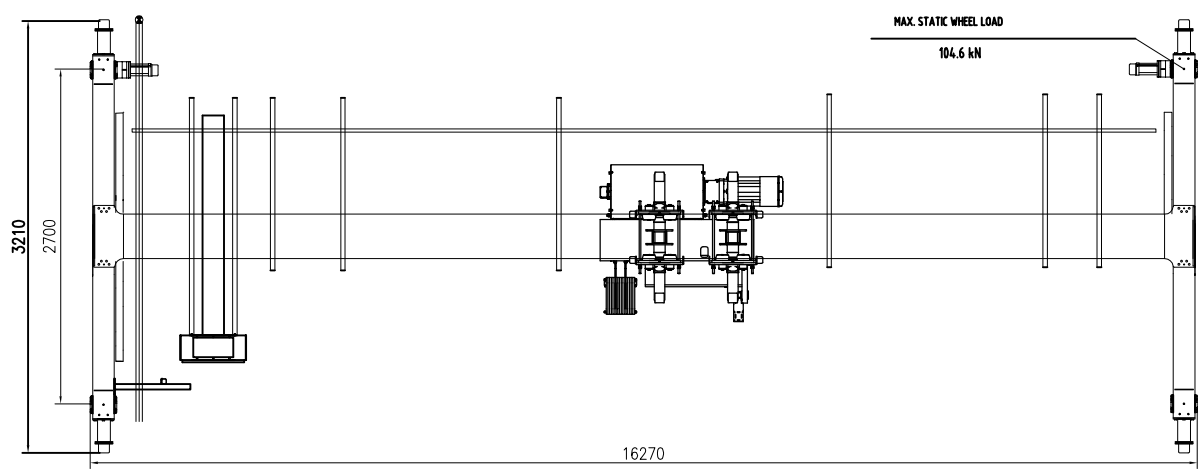


TECHNICAL DATA

LOAD.....	16t
SPAN.....	16m
LIFTING HEIGHT.....	12m
HOISTING SPEED.....	4/0.7 m/min 2-SPEED
TRAVERSING SPEED.....	0-20 m/min STEPLESS
TRAVELLING SPEED.....	0-32 m/min STEPLESS
WEIGHT OF TROLLEY.....	1.61t
WEIGHT OF CRANE.....	7.1t
POWER SUPPLY.....	380V/48V/50Hz
CRANE GROUP.....	FEM A5
HOIST GROUP.....	MSIFEM 2m
BRIDGE TRAVEL GROUP.....	MSIFEM 2m
SUPPLY POWER.....	19.8kW
TOLERANCES ACC. TO ISO/FEM STANDARD	
BRIDGE PAINT:.....	E120/RAL1028
DRAWING NOT IN SCALE	



PRELIMINARY DRAWING OFFER ONLY.



MAX. STATIC WHEEL LOAD
104.6 kN

						Name		RU02	
						Material code		Part Name	
Rev.	Pcs.	Area	Mod.Index	Modified	Date				
Designed	RU02	2024/03/21	Standardized			Stage	Weight(Kg)	Issue	KS16t x 16m x 12m - A5
Checked			Approved		2024/03/21		7100	A0	
Verified		2024/03/21				Size			
Processed			Scale	1:35	A2	Total	Page	DWG No.	