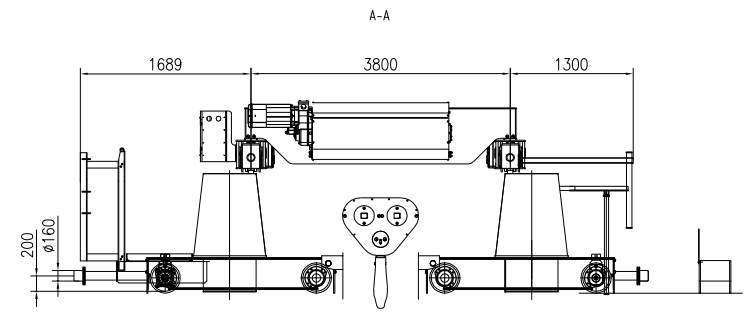
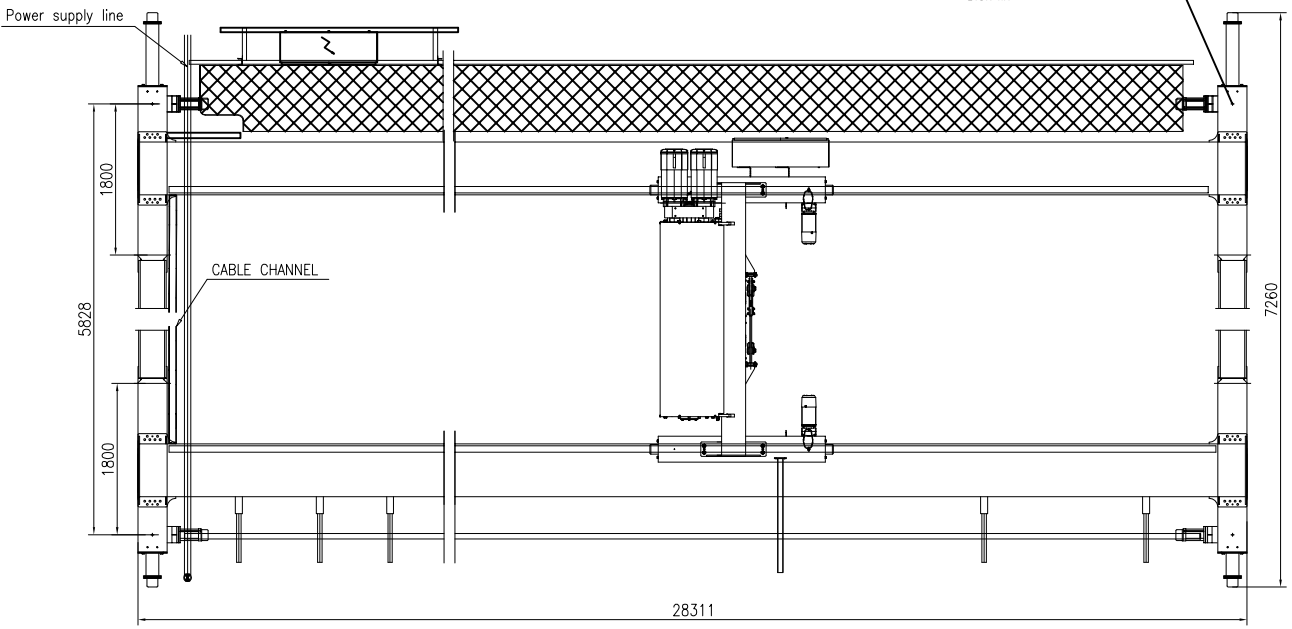


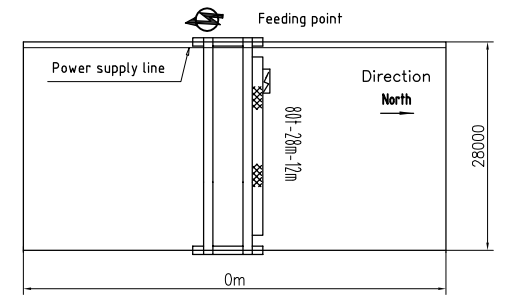
MAX. STATIC WHEEL LOAD
263.8 kN



CRANE END STOP
SUPPLIED BY CUSTOMER

TECHNICAL DATA

LOAD.....	80t
SPAN.....	28m
LIFTING HEIGHT.....	12m
HOISTING SPEED.....	2/0.3 m/min 2-SPEED
TRAVERSING SPEED.....	0-20 m/min STEPLESS
TRAVELLING SPEED.....	0-32 m/min STEPLESS
WEIGHT OF TROLLEY.....	4.53t
WEIGHT OF CRANE.....	38.0t
POWER SUPPLY.....	380V/48V/50Hz
CRANE GROUP.....	FEM A5
HOIST GROUP.....	M4(FEM 1Am)
BRIDGE TRAVEL GROUP.....	M5(FEM 2m)
SUPPLY POWER.....	43.2kW
TOLERANCES ACC. TO ISO/FEM STANDARD	
BRIDGE PAINT:	E120/RAL1028
DRAWING NOT IN SCALE	



PRELIMINARY DRAWING/OFFER ONLY.

Name						RU02		
Material code						Part Name		
Rev.	Pts.	Area	Mod.Index	Modified	Date	Stage	Weight(Kg)	Issue
Designed	RU02	2024/02/15	Standardized		2024/02/15		38000	A0
Checked			Approved		2024/02/15			
Verified		2024/02/15			Size			
Processed			Scale	1:35	A2	Total	Page	DWG No.

HOIST

KR001x28m x 12m-A5