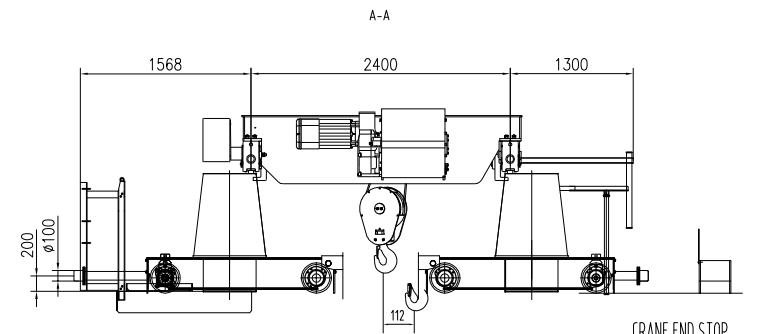
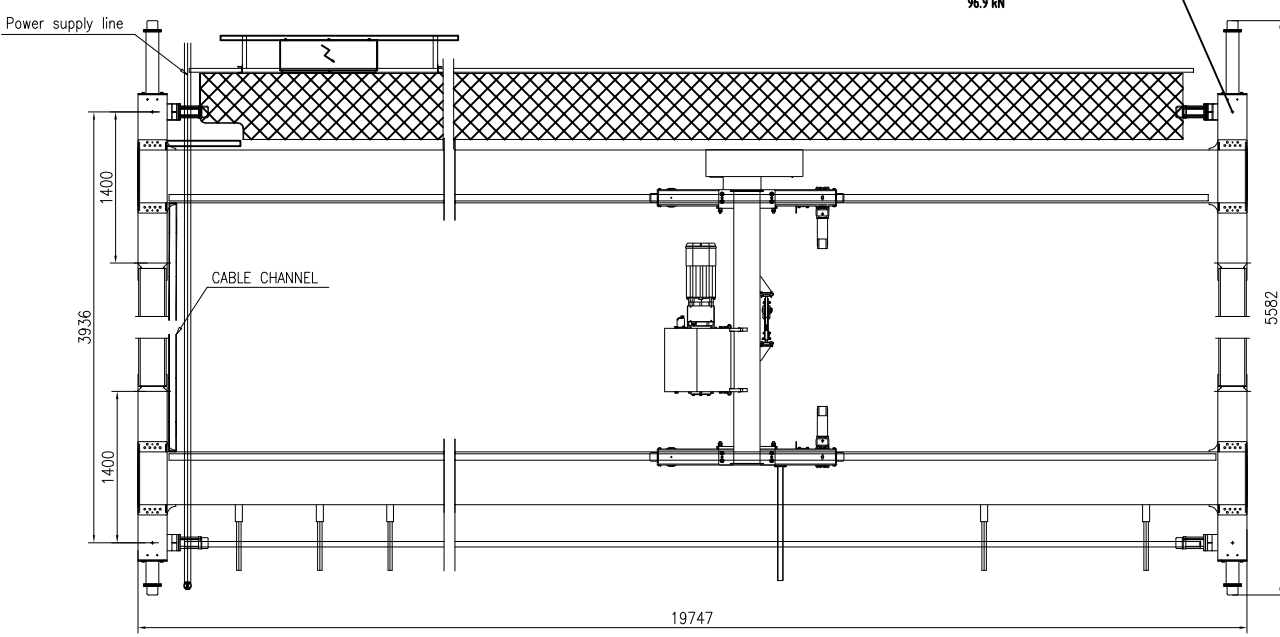


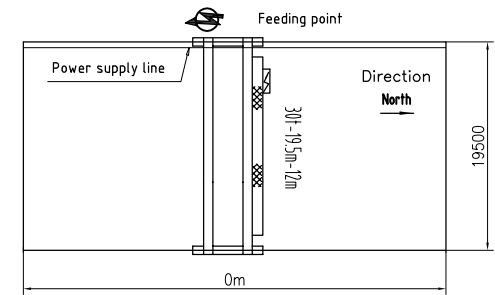
MAX. STATIC WHEEL LOAD  
96.9 kN



CRANE END STOP  
SUPPLIED BY CUSTOMER

### TECHNICAL DATA

LOAD.....	30t
SPAN.....	19.5m
LIFTING HEIGHT.....	12m
HOISTING SPEED.....	2.5/0.4 m/min 2-SPEED
TRAVERSING SPEED.....	0-20 m/min STEPLESS
TRAVELLING SPEED.....	0-32 m/min STEPLESS
WEIGHT OF TROLLEY.....	19.4t
WEIGHT OF CRANE.....	14.1t
POWER SUPPLY.....	380V/48V/50Hz
CRANE GROUP.....	FEM A5
HOIST GROUP.....	M4(FEM 1Am)
BRIDGE TRAVEL GROUP.....	M5(FEM 2m)
SUPPLY POWER.....	20.7kW
TOLERANCES ACC. TO ISO/FEM STANDARD	
BRIDGE PAINT:	E120/RAL1028
DRAWING NOT IN SCALE	



PRELIMINARY DRAWING/OFFER ONLY.

						Name		RU02	
						Material code		Part Name	
Rev.	Pcs.	Area	Mod.Index	Modified	Date	Stage	Weight(Kg)	Issue	KD30t x 19.5m x 12m - A5
Designed		RU02	2024/03/22	Standardized					
Checked				Approved	2024/03/22		14100	A0	
Verified		2024/03/22							
Processed				Scale	1:35	Size	A2	Total	
						Page		DWG No.	