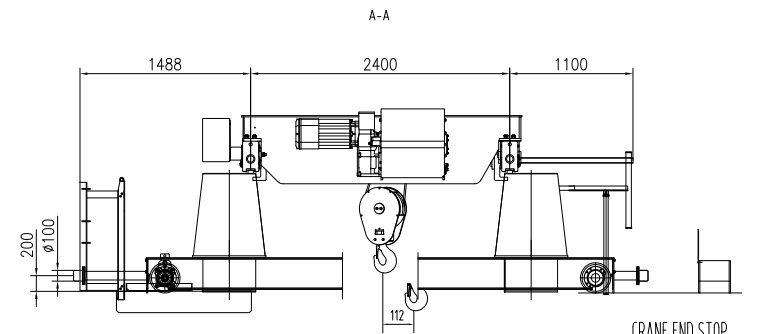
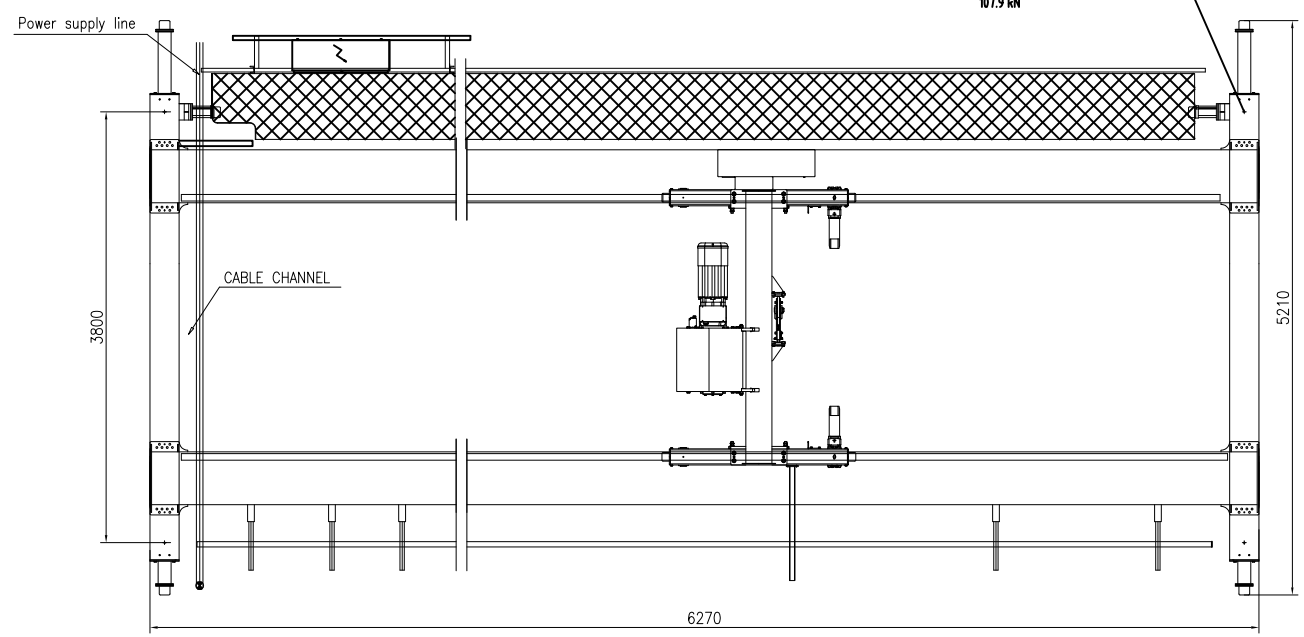
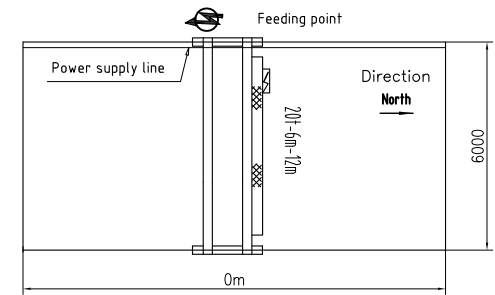


MAX. STATIC WHEEL LOAD
107.9 kN



TECHNICAL DATA

LOAD.....	20t
SPAN.....	6m
LIFTING HEIGHT.....	12m
HOISTING SPEED.....	3.2/0.5 m/min 2-SPEED
TRAVERSING SPEED.....	0-20 m/min STEPLESS
TRAVELLING SPEED.....	0-32 m/min STEPLESS
WEIGHT OF TROLLEY.....	1.94t
WEIGHT OF CRANE.....	5.5t
POWER SUPPLY.....	380V/48V/50Hz
CRANE GROUP.....	FEM A5
HOIST GROUP.....	M6(FEM 3m)
BRIDGE TRAVEL GROUP.....	M5(FEM 2m)
SUPPLY POWER.....	15.5kW
TOLERANCES ACC. TO ISO/FEM STANDARD	
BRIDGE PAINT:	E120/RAL1028
DRAWING NOT IN SCALE	



PRELIMINARY DRAWING/OFFER ONLY.

Name						RU02	
Material code						Part Name	
Rev.	Pcs.	Area	Mod.Index	Modified	Date	Stage	Weight(Kg)
Designed	RU02	2023/08/26	Standardized		2023/08/26		
Checked			Approved				
Verified		2023/08/26			Size		5500 A0
Processed			Scale	1:35	A2	Total	Page
Name						RU02	
Material code						Part Name	
Rev.	Pcs.	Area	Mod.Index	Modified	Date	Stage	Weight(Kg)
Designed	RU02	2023/08/26	Standardized		2023/08/26		
Checked			Approved				
Verified		2023/08/26			Size		5500 A0
Processed			Scale	1:35	A2	Total	Page

KD201x6m x 12m-A5