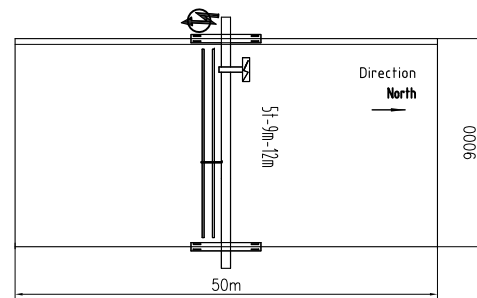
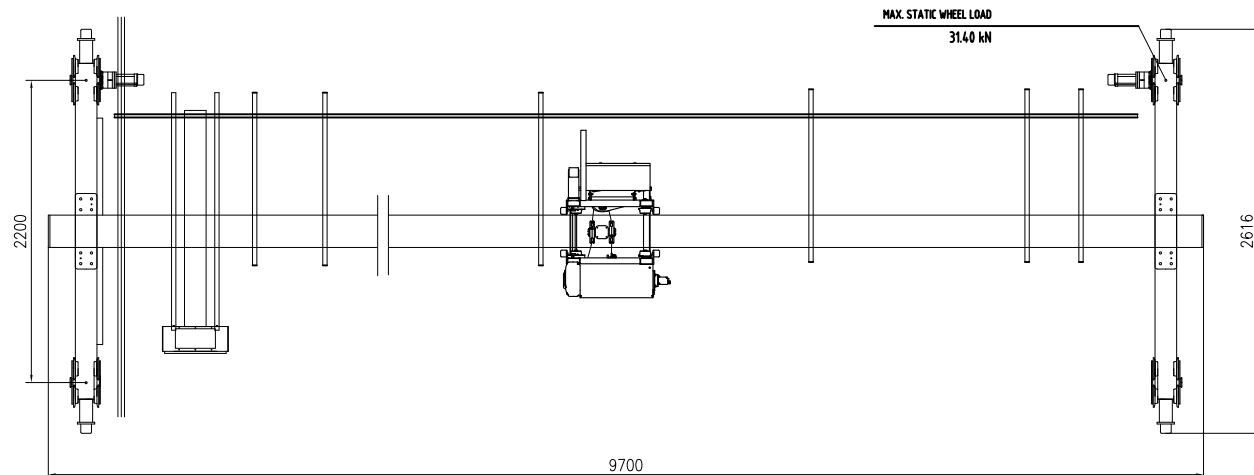


TECHNICAL DATA

LOAD.....	5t
SPAN.....	9m
LIFTING HEIGHT.....	12m
HOISTING SPEED.....	5/0.8 m/min 2-SPEED
TRAVERSING SPEED.....	0-20 m/min STEPLESS
TRAVELLING SPEED.....	0-20 m/min STEPLESS
WEIGHT OF TROLLEY.....	0.39t
WEIGHT OF CRANE.....	2.1t
POWER SUPPLY.....	380V/48V/50Hz
CRANE GROUP.....	FEM A5
HOIST GROUP.....	M5(FEM 2m)
BRIDGE TRAVEL GROUP.....	M5(FEM 2m)
SUPPLY POWER.....	6.25kW
TOLERANCES ACC. TO ISO/FEM STANDARD	
BRIDGE PAINT: E120/RAL1028	
DRAWING NOT IN SCALE	



PRELIMINARY DRAWING, OFFER ONLY.

							Name		RU02	
							Material code		Part Name	
Rev.	Pcs.	Area	Mod.Index	Modified			Stage	Weight(Kg)	Issue	KUS1x9m x 12m-A5
Designed	RU02	2023/08/22	Standardized							
Checked			Approved	2023/08/22						
Verified		2023/08/22			Size			2100	A0	
Processed			Scale	1:35	A2	Total		Page	DWG No.	