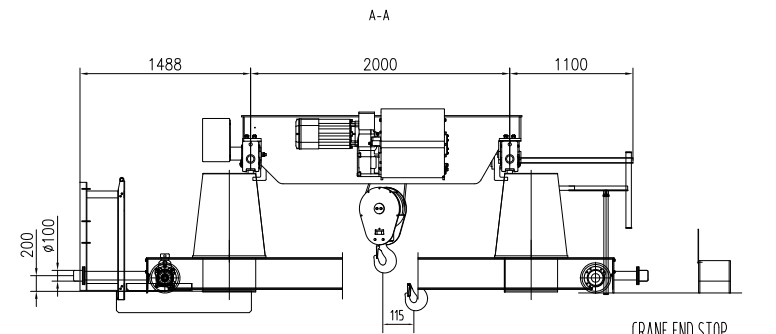
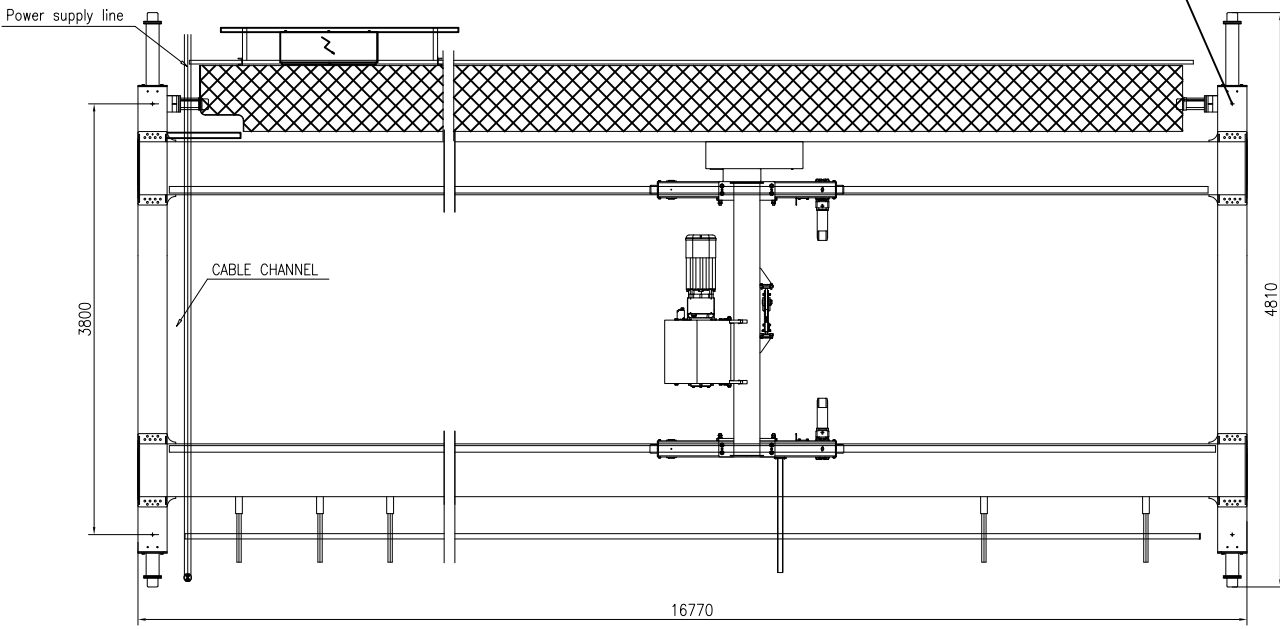
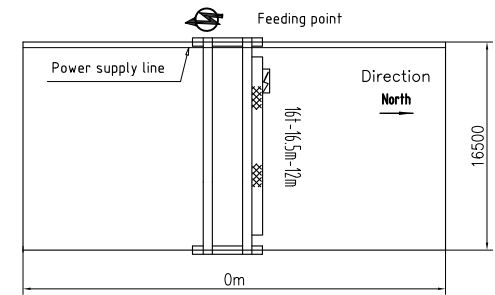


MAX. STATIC WHEEL LOAD
108.2 kN



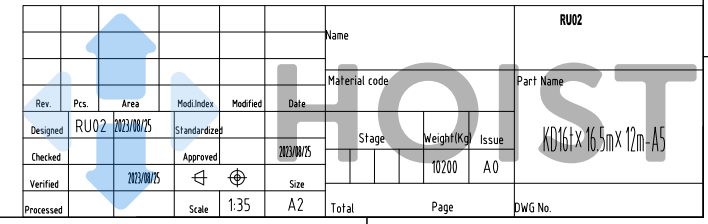
TECHNICAL DATA

LOAD.....	16t
SPAN.....	16.5m
LIFTING HEIGHT.....	12m
HOISTING SPEED.....	4/0.7 m/min 2-SPEED
TRAVERSING SPEED.....	0-20 m/min STEPLESS
TRAVELLING SPEED.....	0-32 m/min STEPLESS
WEIGHT OF TROLLEY.....	1.55t
WEIGHT OF CRANE.....	10.2t
POWER SUPPLY.....	380V/48V/50Hz
CRANE GROUP.....	FEM A5
HOIST GROUP.....	MS(FEM 2m)
BRIDGE TRAVEL GROUP.....	MS(FEM 2m)
SUPPLY POWER.....	18.5kW
TOLERANCES ACC. TO ISO/FEM STANDARD	
BRIDGE PAINT:	E120/RAL1028
DRAWING NOT IN SCALE	



PRELIMINARY DRAWING/OFFER ONLY.

						Name		RU02	
						Material code		Part Name	
Rev.	Pcs.	Area	Mod.Index	Modified	Date	Stage	Weight (Kg)	Issue	
Designed	RU02	2023/08/25	Standardized						
Checked			Approved		2023/08/25				
Verified		2023/08/25				Size	10200	A0	
Processed			Scale	1:35	A2	Total	Page	DWG No.	



KD161x16.5m x 12m-A5