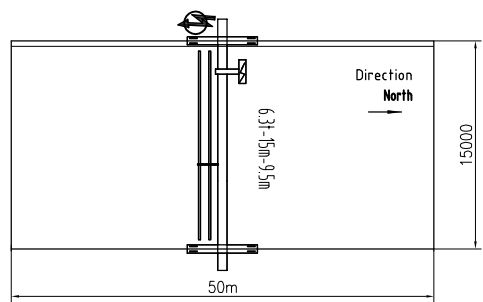
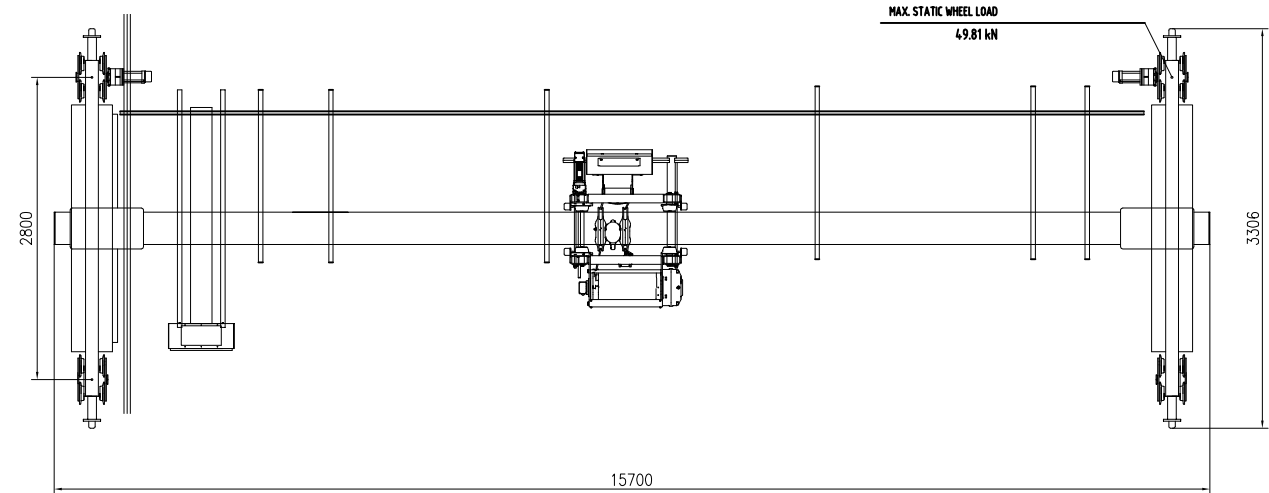


TECHNICAL DATA

LOAD.....	6.3t
SPAN.....	15m
LIFTING HEIGHT.....	9.5m
HOISTING SPEED.....	4/0.7 m/min 2-SPEED
TRAVERSING SPEED.....	0-20 m/min STEPLESS
TRAVELLING SPEED.....	0-20 m/min STEPLESS
WEIGHT OF TROLLEY.....	0.74t
WEIGHT OF CRANE.....	4.4t
POWER SUPPLY.....	380V/48V/50Hz
CRANE GROUP.....	FEM A5
HOIST GROUP.....	M6(FEM 3m)
BRIDGE TRAVEL GROUP.....	M5(FEM 2m)
SUPPLY POWER.....	9.9kW
TOLERANCES ACC. TO ISO/FEM STANDARD	
BRIDGE PAINT:	E120/RAL1028
DRAWING NOT IN SCALE	

MAX. STATIC WHEEL LOAD
49.81 kN



PRELIMINARY DRAWING, OFFER ONLY.

						Material	RU02	
						Material code	Part Name	
Rev.	Pcs.	Area	Mod.Index	Modified	Date	Stage	Weight(Kg)	Issue
Designed	RU02	2024/03/22	Standardized					
Checked			Approved	2024/03/22			4400	A0
Verified		2024/03/22			Size			
Processed			Scale	1:35	A2	Total	Page	DWG No.

