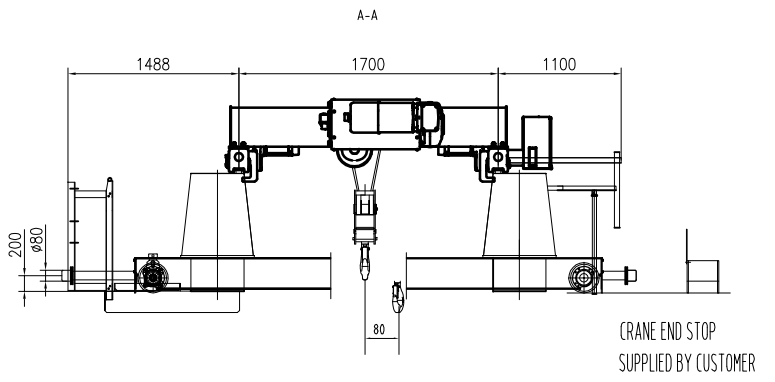
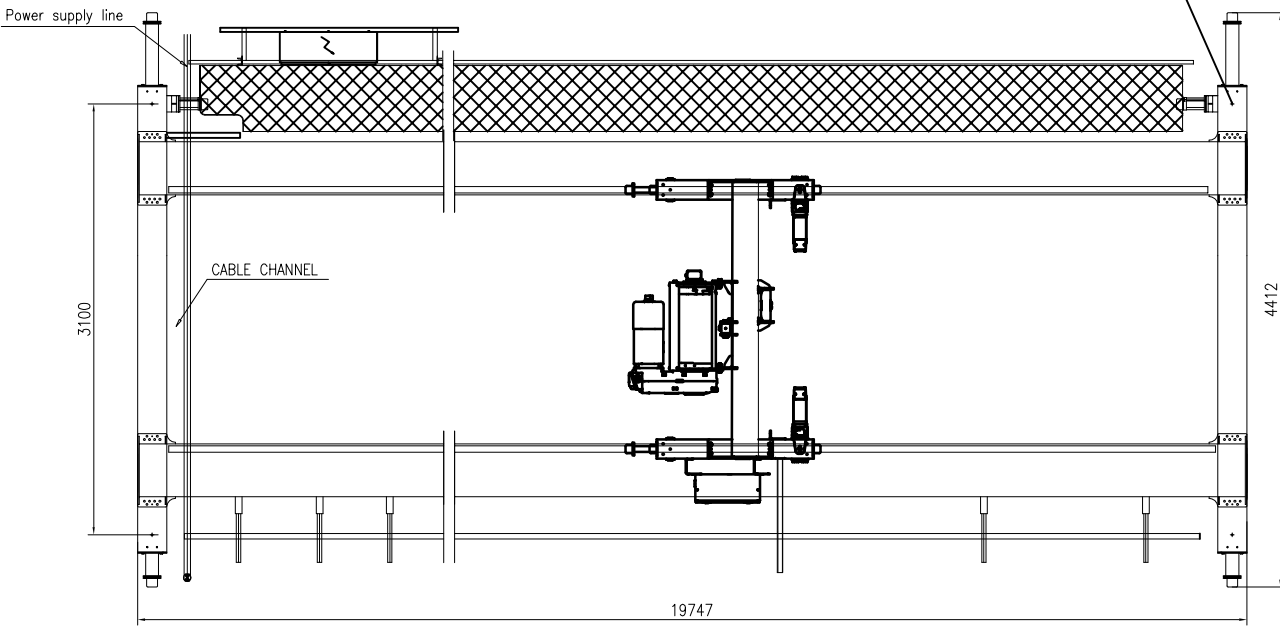


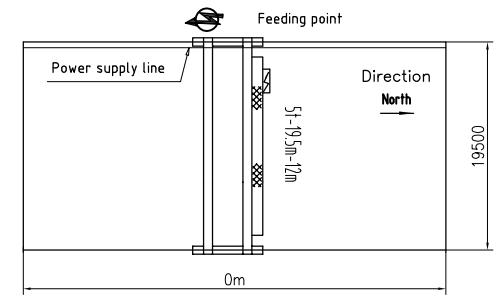
RAIL 50x30 Note: The lowest point of the Endcarriage is from the rail beam = 15

MAX. STATIC WHEEL LOAD 53.4 kN



TECHNICAL DATA

LOAD.....	5t
SPAN.....	19.5m
LIFTING HEIGHT.....	12m
HOISTING SPEED.....	4/0.7 m/min 2-SPEED
TRAVERSING SPEED.....	0-20 m/min STEPLESS
TRAVELLING SPEED.....	0-32 m/min STEPLESS
WEIGHT OF TROLLEY.....	0.93t
WEIGHT OF CRANE.....	9.5t
POWER SUPPLY.....	380V/48V/50Hz
CRANE GROUP.....	FEM A5
HOIST GROUP.....	M6(FEM 3m)
BRIDGE TRAVEL GROUP.....	M5(FEM 2m)
SUPPLY POWER.....	10.1kW
TOLERANCES ACC. TO ISO/FEM STANDARD	
BRIDGE PAINT:	E120/RAL1028
DRAWING NOT IN SCALE	



PRELIMINARY DRAWING/OFFER ONLY.

Rev. Pcs. Area Mod. Index Modified Date						Name		RU02	
Designed RU02 2024/03/20 Standardized						Material code		Part Name	
Checked Approved 2024/03/20						Stage		Weight(Kg) Issue	
Verified 2024/03/20						Size		K051x19.5m x 12m-A5	
Processed						Scale		Page	
						1:35		A2	
						Total		DWG No.	