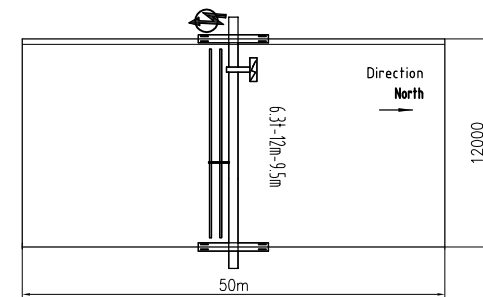
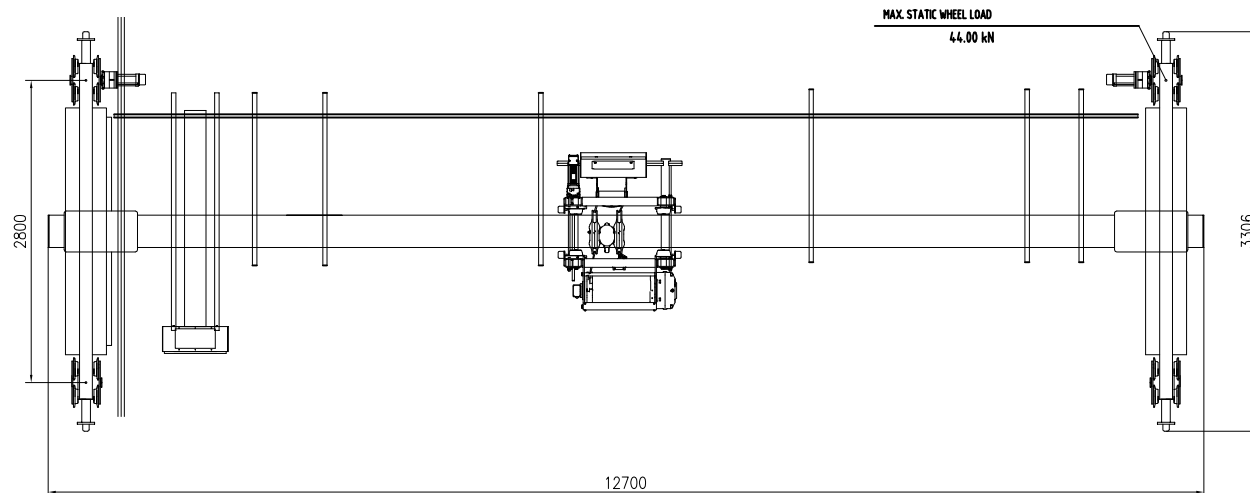


TECHNICAL DATA

LOAD.....	6.3t
SPAN.....	12m
LIFTING HEIGHT.....	9.5m
HOISTING SPEED.....	4/0.7 m/min 2-SPEED
TRAVERSING SPEED.....	0-20 m/min STEPLESS
TRAVELLING SPEED.....	0-20 m/min STEPLESS
WEIGHT OF TROLLEY.....	0.74t
WEIGHT OF CRANE.....	3.8t
POWER SUPPLY.....	380V/48V/50Hz
CRANE GROUP.....	FEM A5
HOIST GROUP.....	M6(FEM 3m)
BRIDGE TRAVEL GROUP.....	M5(FEM 2m)
SUPPLY POWER.....	9.9kW
TOLERANCES ACC. TO ISO/FEM STANDARD	
BRIDGE PAINT: E120/RAL1028	
DRAWING NOT IN SCALE	



PRELIMINARY DRAWING, OFFER ONLY.

Rev.	Pts.	Area	Mod.Index	Modified	Date	Material	Part Name
Designed	RU02	2024/03/22	Standardized			Material code	KU6.3t x 12m x 9.5m-A5
Checked			Approved	2024/03/22		Stage	Weight(Kg)
Verified		2024/03/22				3800	Issue
Processed			Scale	1:35	A2	Size	A0
Total						Page	DWG No.