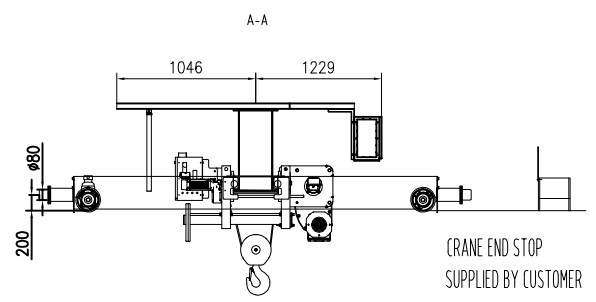
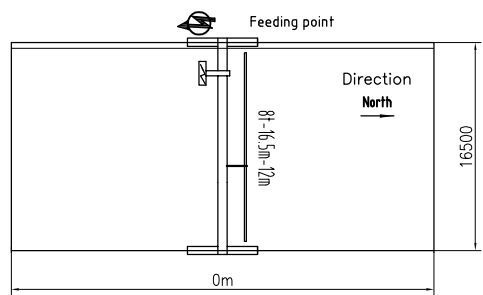


Detail Z  
RAL 50:30 Hc1c The highest point of the Encarriage is from the rail beam +5

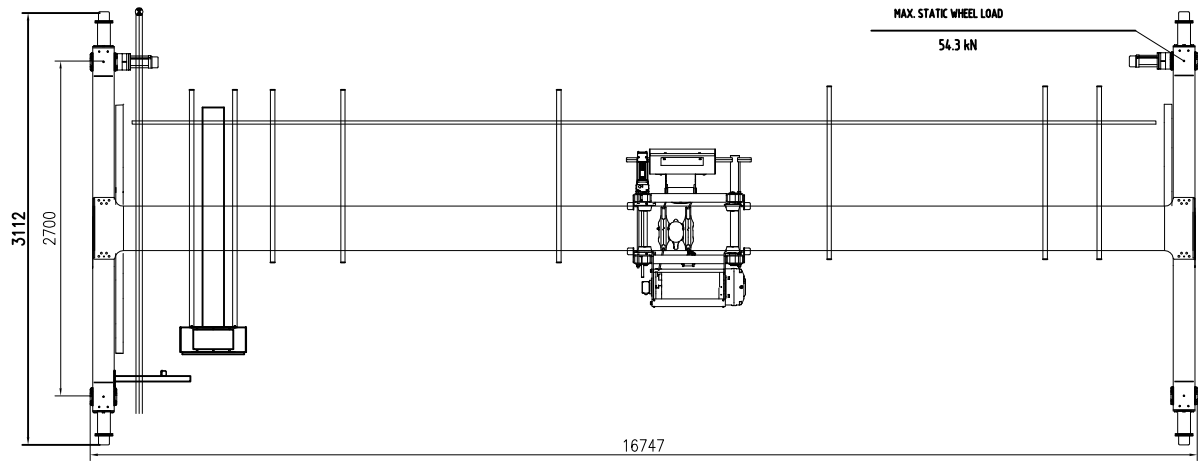


TECHNICAL DATA

LOAD.....	8t
SPAN.....	16.5m
LIFTING HEIGHT.....	12m
HOISTING SPEED.....	4/0.7 m/min 2-SPEED
TRAVERSING SPEED.....	0-20 m/min STEPLESS
TRAVELLING SPEED.....	0-32 m/min STEPLESS
WEIGHT OF TROLLEY.....	0.74t
WEIGHT OF CRANE.....	5.2t
POWER SUPPLY.....	380V/48V/50Hz
CRANE GROUP.....	FEM A5
HOIST GROUP.....	M6(FEM 3m)
BRIDGE TRAVEL GROUP.....	M5(FEM 2m)
SUPPLY POWER.....	9.9kW
TOLERANCES ACC. TO ISO/FEM STANDARD	
BRIDGE PAINT.....	E120/RAL1028
DRAWING NOT IN SCALE	



PRELIMINARY DRAWING OFFER ONLY.



						Name		RU02	
						Material code		Part Name	
Rev.	Pcs.	Area	Mod.Index	Modified	Date	Stage	Weight(Kg)	Issue	KS01x16.5m x 12m-A5
Designed	RU02	2024/03/20	Standardized		2024/03/20		5200	A0	
Checked			Approved						
Verified		2024/03/20							
Processed			Scale	1:35	A2	Total	Page	DWG No.	