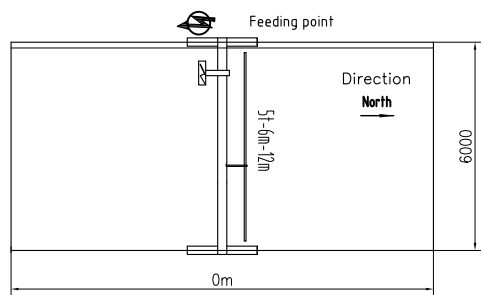
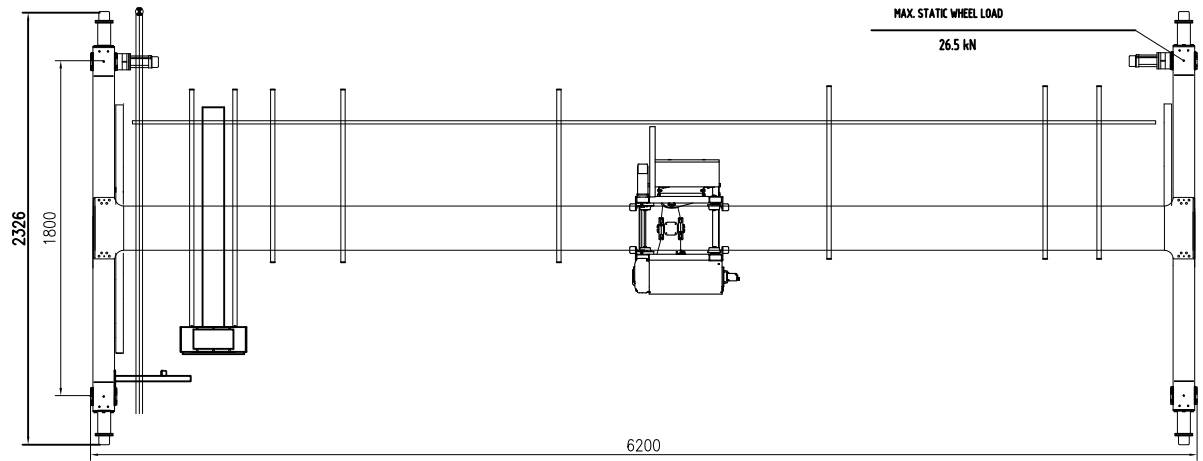


TECHNICAL DATA

| | |
|-------------------------------------|---------------------|
| LOAD..... | 5t |
| SPAN..... | 6m |
| LIFTING HEIGHT..... | 12m |
| HOISTING SPEED..... | 5/0.8 m/min 2-SPEED |
| TRAVERSING SPEED..... | 0-20 m/min STEPLESS |
| TRAVELLING SPEED..... | 0-32 m/min STEPLESS |
| WEIGHT OF TROLLEY..... | 0.39t |
| WEIGHT OF CRANE..... | 1.5t |
| POWER SUPPLY..... | 380V/48V/50Hz |
| CRANE GROUP..... | FEM A5 |
| HOIST GROUP..... | MS(FEM 2m) |
| BRIDGE TRAVEL GROUP..... | MS(FEM 2m) |
| SUPPLY POWER..... | 6.25kW |
| TOLERANCES ACC. TO ISO/FEM STANDARD | |
| BRIDGE PAINT: | E120/RAL1028 |
| DRAWING NOT IN SCALE | |



PRELIMINARY DRAWING OFFER ONLY.

| | | | | | | | | | | | |
|-----------|------|------------|--------------|----------|------------|---------------|-------------|-------|---------------------|--|--|
| | | | | | | Name | | | RU02 | | |
| | | | | | | Material code | | | Part Name | | |
| Rev. | Pcs. | Area | Mod.Index | Modified | Date | Stage | Weight (Kg) | Issue | KSS5t x 6m x 12m-A5 | | |
| Designed | RU02 | 2023/08/21 | Standardized | | | | | | | | |
| Checked | | | Approved | | 2023/08/21 | | 1500 | A0 | | | |
| Verified | | 2023/08/21 | | | | Size | | | | | |
| Processed | | | Scale | 1:35 | A2 | Total | Page | | DWG No. | | |