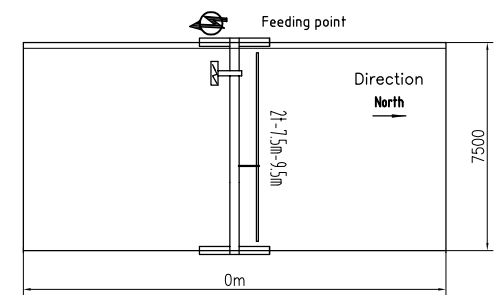
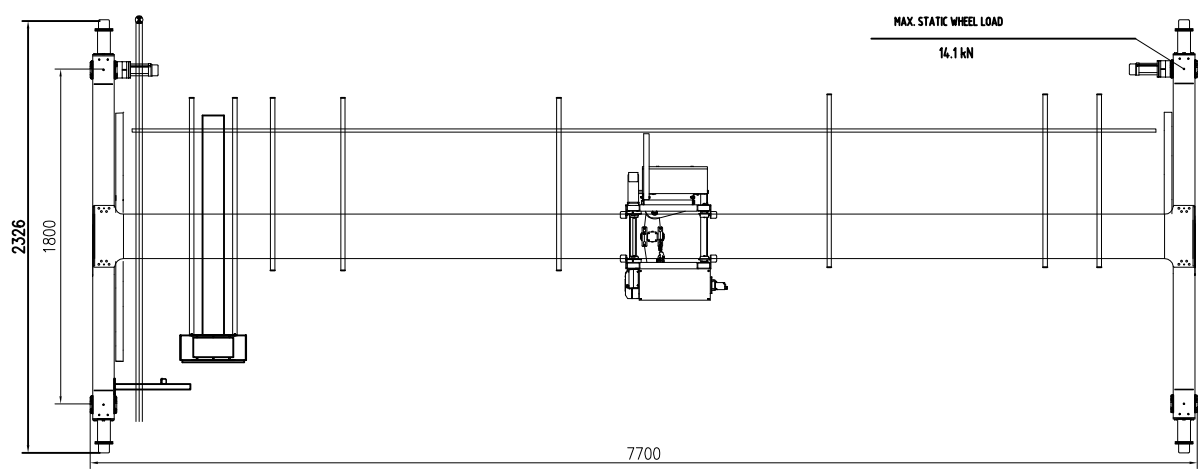


TECHNICAL DATA

LOAD.....	2t
SPAN.....	7.5m
LIFTING HEIGHT.....	9.5m
HOISTING SPEED.....	5/0.8 m/min 2-SPEED
TRAVERSING SPEED.....	0-20 m/min STEPLESS
TRAVELLING SPEED.....	0-32 m/min STEPLESS
WEIGHT OF TROLLEY.....	0.26t
WEIGHT OF CRANE.....	1.4t
POWER SUPPLY.....	380V/48V/50Hz
CRANE GROUP.....	FEM A5
HOIST GROUP.....	M6(FEM 3m)
BRIDGE TRAVEL GROUP.....	MS(FEM 2m)
SUPPLY POWER.....	2.75kW
TOLERANCES ACC. TO ISO/FEM STANDARD	
BRIDGE PAINT:	E120/RAL1028
DRAWING NOT IN SCALE	



PRELIMINARY DRAWING OFFER ONLY.



						Name		RU02	
						Material code		Part Name	
Rev.	Pcs.	Area	Mod.Index	Modified	Date				
Designed	RU02	2023/12/20	Standardized			Stage	Weight(Kg)	Issue	KS21x7.5m x 9.5m - A5
Checked			Approved		2023/12/20		1400	A0	
Verified		2023/12/20				Size			
Processed			Scale	1:35	A2	Total	Page	DWG No.	