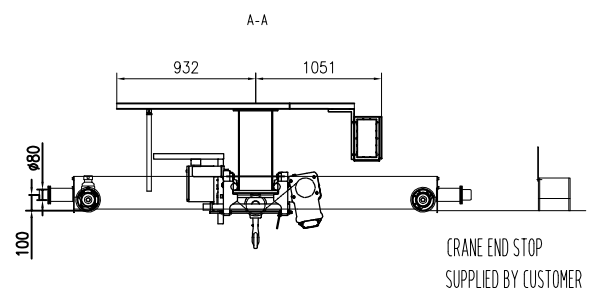
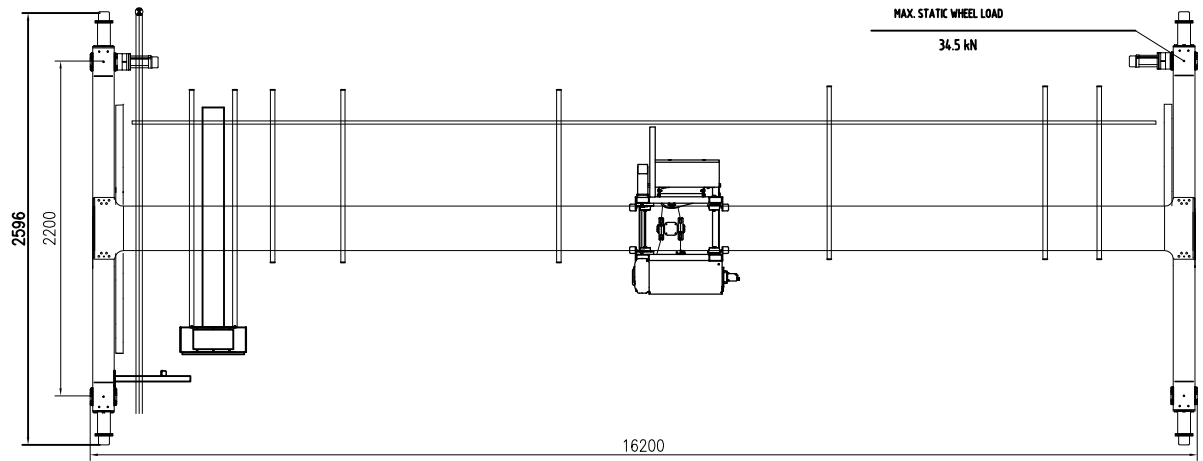
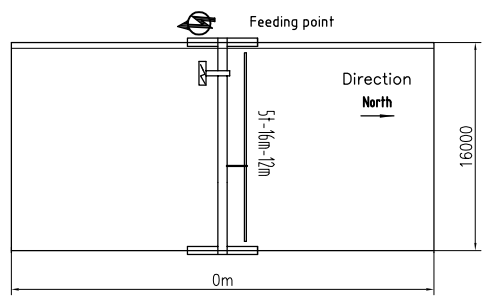


RAIL 50x30 He16 The highest point of the Encircling is from the rail beam +12



TECHNICAL DATA

LOAD.....	5t
SPAN.....	16m
LIFTING HEIGHT.....	12m
HOISTING SPEED.....	5/0.8 m/min 2-SPEED
TRAVERSING SPEED.....	0-20 m/min STEPLESS
TRAVELLING SPEED.....	0-32 m/min STEPLESS
WEIGHT OF TROLLEY.....	0.39t
WEIGHT OF CRANE.....	3.3t
POWER SUPPLY.....	380V/48V/50Hz
CRANE GROUP.....	FEM A5
HOIST GROUP.....	MSIFEM 2m
BRIDGE TRAVEL GROUP.....	MSIFEM 2m
SUPPLY POWER.....	6.25kW
TOLERANCES ACC. TO ISO/FEM STANDARD	
BRIDGE PAINT.....	E120/RAL1028
DRAWING NOT IN SCALE	



PRELIMINARY DRAWING OFFER ONLY.

							Name		RU02	
							Material code		Part Name	
Rev.	Pcs.	Area	Mod.Index	Modified	Date					
Designed	RU02	2024/03/20	Standardized		2024/03/20	Stage	Weight(Kg)	Issue	KS5t x 16m x 12m - A5	
Checked			Approved		2024/03/20		3300	A0		
Verified		2024/03/20				Size				
Processed			Scale	1:35	A2	Total	Page	DWG No.		