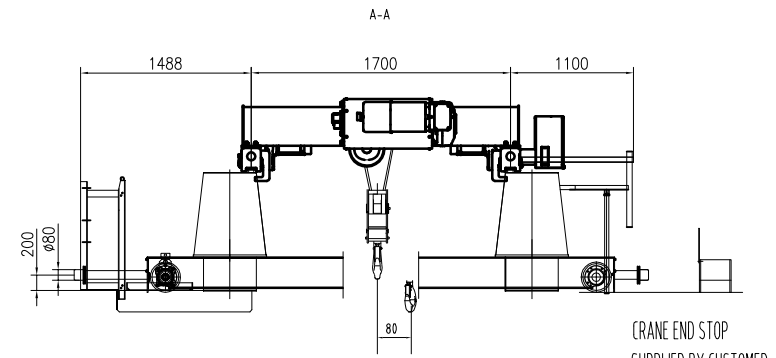
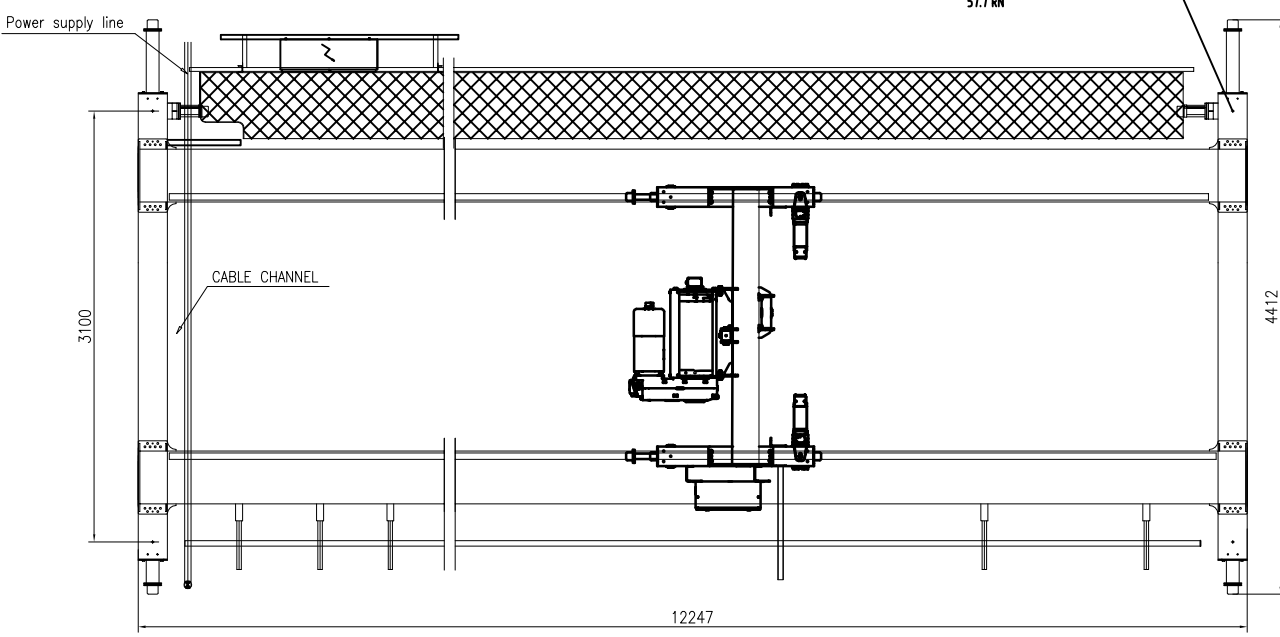


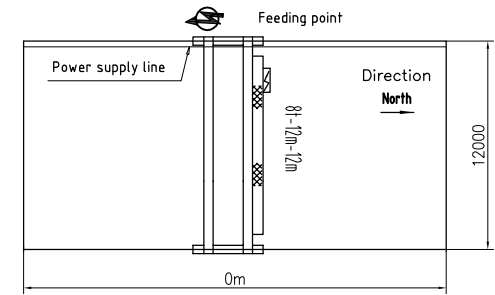
RAIL 50x30 Note: The lowest point of the Endcarriage is from the rail beam=15

MAX. STATIC WHEEL LOAD
57.7 kN



TECHNICAL DATA

LOAD.....	8t
SPAN.....	12m
LIFTING HEIGHT.....	12m
HOISTING SPEED.....	5/0.8 m/min 2-SPEED
TRAVERSING SPEED.....	0-20 m/min STEPLESS
TRAVELLING SPEED.....	0-32 m/min STEPLESS
WEIGHT OF TROLLEY.....	0.93t
WEIGHT OF CRANE.....	5.9t
POWER SUPPLY.....	380V/48V/50Hz
CRANE GROUP.....	FEM A5
HOIST GROUP.....	M6(FEM 3m)
BRIDGE TRAVEL GROUP.....	M5(FEM 2m)
SUPPLY POWER.....	10.1kW
TOLERANCES ACC. TO ISO/FEM STANDARD	
BRIDGE PAINT:	E120/RAL1028
DRAWING NOT IN SCALE	



PRELIMINARY DRAWING/OFFER ONLY.

Name						RU02		
Material code						Part Name		
Rev.	Pct.	Area	Mod.Index	Modified	Date	Stage	Weight(Kg)	Issue
Designed		RU02		Standardized				
Checked				Approved	2024/02/16		5900	A0
Verified		2024/02/16						
Processed				Scale	1:35	Size	A2	
Total						Page		DWG No.

HOIST
K08x12m x 12m-A5