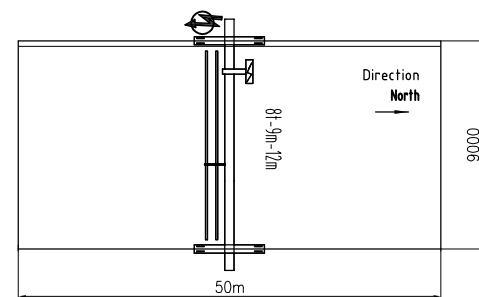
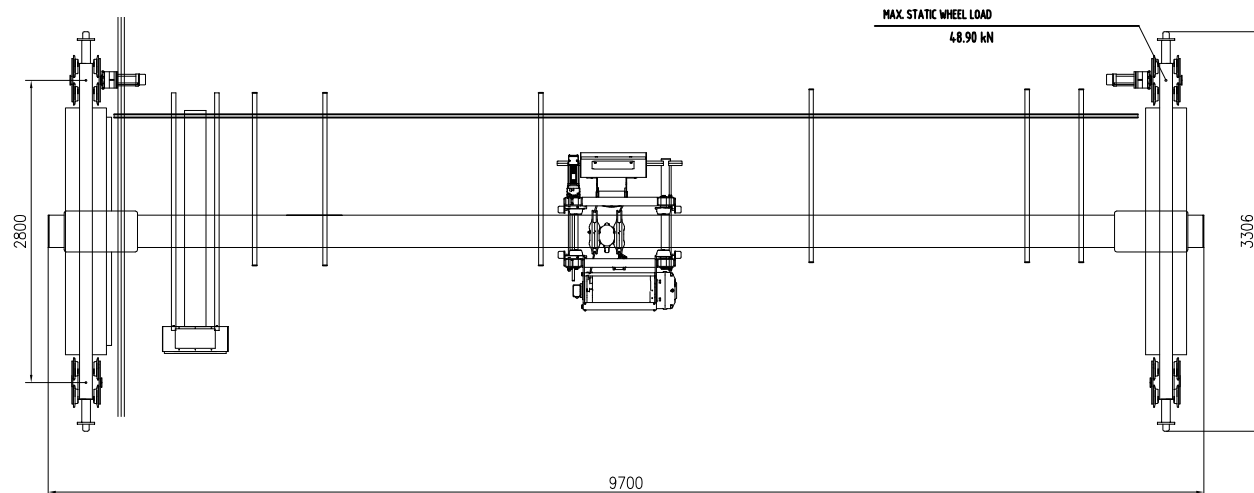


TECHNICAL DATA

| | |
|-------------------------------------|---------------------|
| LOAD..... | 8t |
| SPAN..... | 9m |
| LIFTING HEIGHT..... | 12m |
| HOISTING SPEED..... | 4/0.7 m/min 2-SPEED |
| TRAVERSING SPEED..... | 0-20 m/min STEPLESS |
| TRAVELLING SPEED..... | 0-20 m/min STEPLESS |
| WEIGHT OF TROLLEY..... | 0.74t |
| WEIGHT OF CRANE..... | 3.2t |
| POWER SUPPLY..... | 380V/48V/50Hz |
| CRANE GROUP..... | FEM A5 |
| HOIST GROUP..... | M6(FEM 3m) |
| BRIDGE TRAVEL GROUP..... | M5(FEM 2m) |
| SUPPLY POWER..... | 9.9kW |
| TOLERANCES ACC. TO ISO/FEM STANDARD | |
| BRIDGE PAINT: | E120/RAL1028 |
| DRAWING NOT IN SCALE | |



PRELIMINARY DRAWING, OFFER ONLY.

| | | | | | | | | | |
|-----------|------|------------|--------------|------------|------|---------------|------------|-----------|-------------------|
| | | | | | | Material | | RU02 | |
| | | | | | | Material code | | Part Name | |
| Rev. | Pcs. | Area | Mod.Index | Modified | Date | | | | |
| Designed | RU02 | 2024/03/22 | Standardized | | | Stage | Weight(Kg) | Issue | KU081x9m x 12m-A5 |
| Checked | | | Approved | 2024/03/22 | | | 3200 | A0 | |
| Verified | | 2024/03/22 | | | Size | | | | |
| Processed | | | Scale | 1:35 | A2 | Total | Page | DWG No. | |