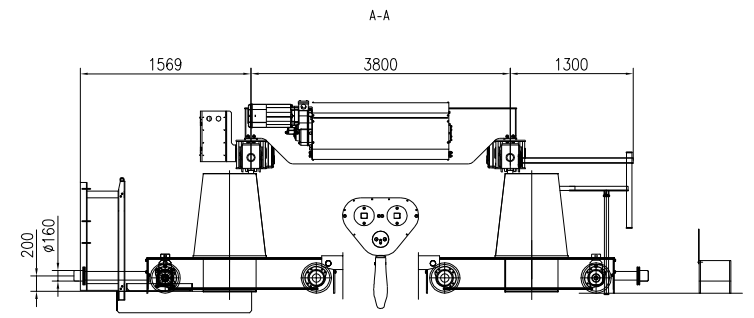
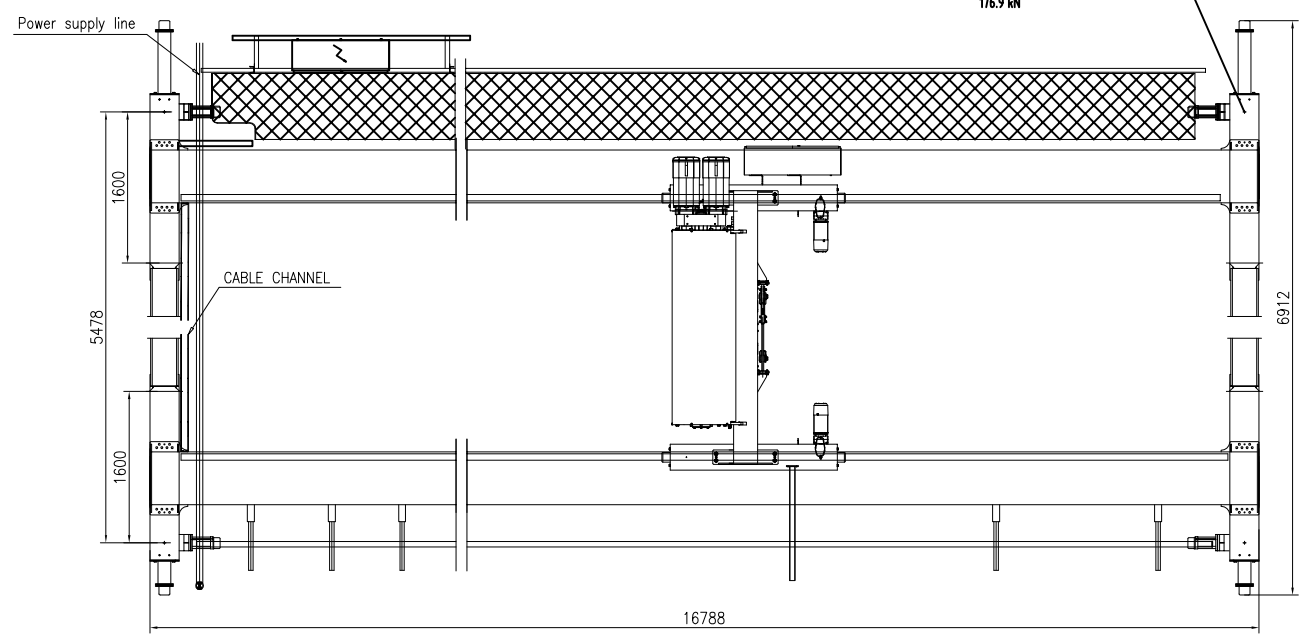


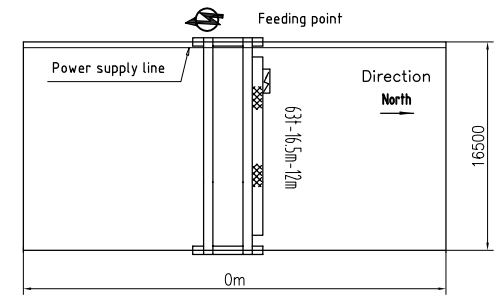
MAX. STATK WHEEL LOAD
176.9 kN



CRANE END STOP
SUPPLIED BY CUSTOMER

TECHNICAL DATA

LOAD.....	63t
SPAN.....	16.5m
LIFTING HEIGHT.....	12m
HOISTING SPEED.....	2/0.3 m/min 2-SPEED
TRAVERSING SPEED.....	0-20 m/min STEPLESS
TRAVELLING SPEED.....	0-32 m/min STEPLESS
WEIGHT OF TROLLEY.....	4.53t
WEIGHT OF CRANE.....	19.1t
POWER SUPPLY.....	380V/48V/50Hz
CRANE GROUP.....	FEM A5
HOIST GROUP.....	MS(FEM 2m)
BRIDGE TRAVEL GROUP.....	MS(FEM 2m)
SUPPLY POWER.....	43.2kW
TOLERANCES ACC. TO ISO/FEM STANDARD	
BRIDGE PAINT: E120/RAL1028	
DRAWING NOT IN SCALE	



PRELIMINARY DRAWING/OFFER ONLY.

Name						RU02		
Material code						Part Name		
Rev.	Pts.	Area	Mod.Index	Modified	Date	Stage	Weight(Kg)	Issue
Designed		RU02		Standardized				
Checked				Approved	2024/02/15		19100	A0
Verified		2024/02/15						
Processed			Scale	1:35	Size	A2	Total	Page
Name						K063t x 16.5m x 12m - A5		
DWG No.								