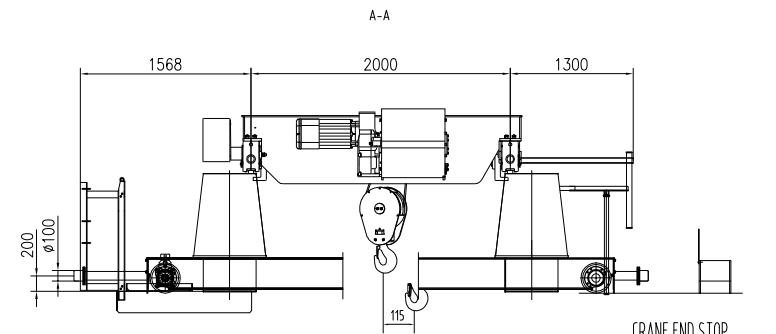
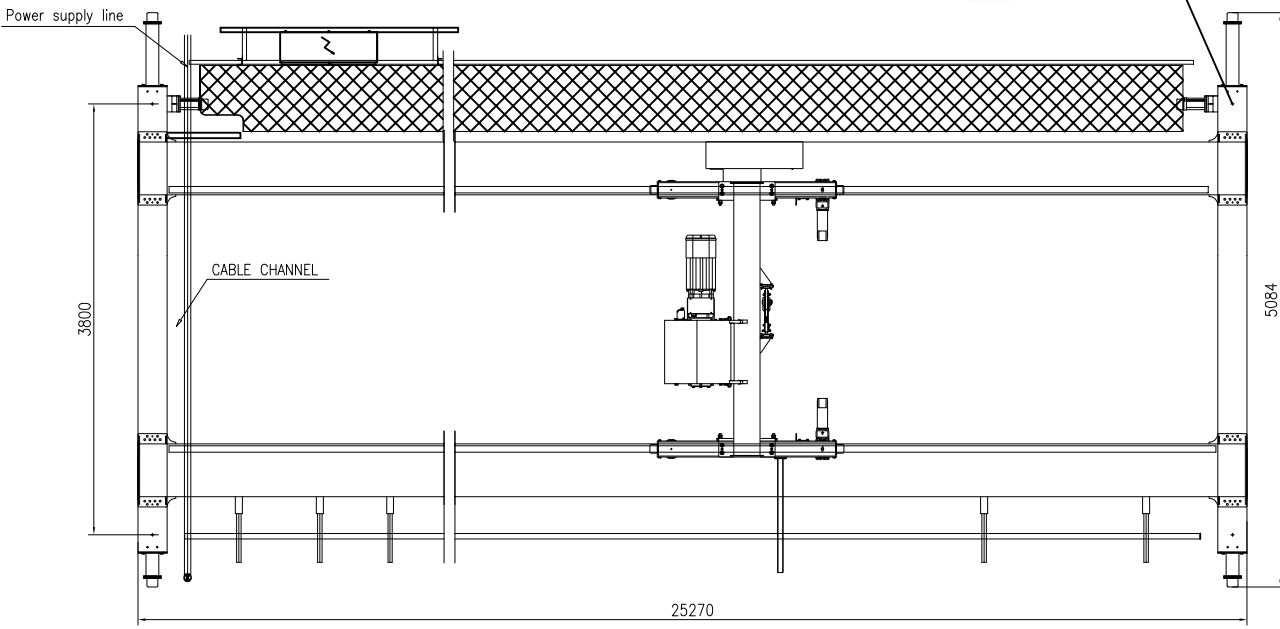
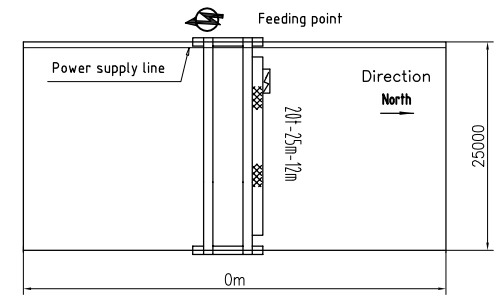


MAX. STATIC WHEEL LOAD
148.7 kN



TECHNICAL DATA

LOAD.....	20t
SPAN.....	25m
LIFTING HEIGHT.....	12m
HOISTING SPEED.....	4/0.7 m/min 2-SPEED
TRAVERSING SPEED.....	0-20 m/min STEPLESS
TRAVELLING SPEED.....	0-32 m/min STEPLESS
WEIGHT OF TROLLEY.....	155t
WEIGHT OF CRANE.....	17.6t
POWER SUPPLY.....	380V/48V/50Hz
CRANE GROUP.....	FEM A5
HOIST GROUP.....	M4(FEM 1Am)
BRIDGE TRAVEL GROUP.....	M5(FEM 2m)
SUPPLY POWER.....	20.7kW
TOLERANCES ACC. TO ISO/FEM STANDARD	
BRIDGE PAINT:	E120/RAL1028
DRAWING NOT IN SCALE	



PRELIMINARY DRAWING/OFFER ONLY.

Name						RU02		
Material code						Part Name		
Rev.	Pcs.	Area	Mod.Index	Modified	Date	Stage	Weight(Kg)	Issue
Designed		RU02		Standardized				
Checked				Approved	2024/02/15		17600	A0
Verified		2024/02/15		Size				
Processed			Scale	1:35	A2	Total	Page	DWG No.

HOIST
K0201x25m x 12m - A5