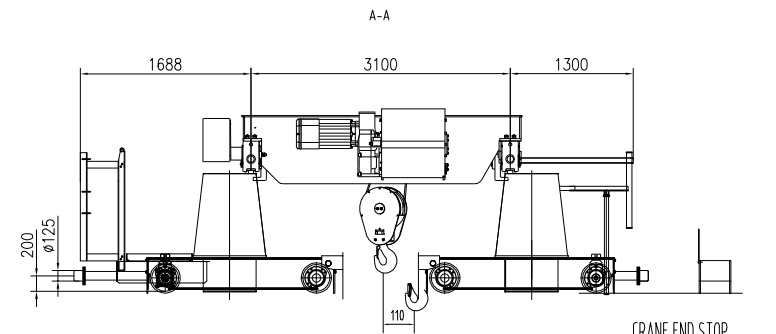
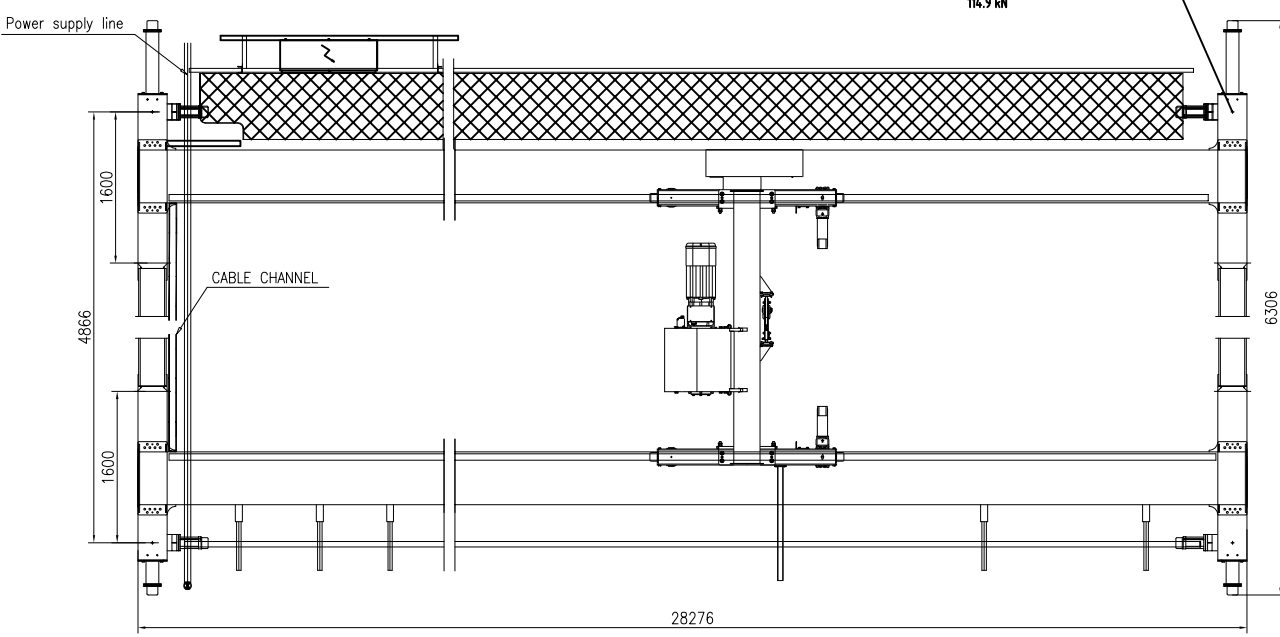


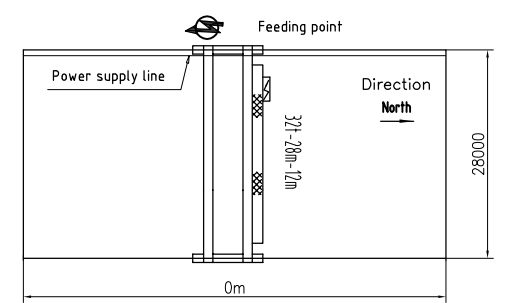
MAX. STAT. WHEEL LOAD
114.9 kN



CRANE END STOP
SUPPLIED BY CUSTOMER

TECHNICAL DATA

LOAD.....	32t
SPAN.....	28m
LIFTING HEIGHT.....	12m
HOISTING SPEED.....	2/0.3 m/min 2-SPEED
TRAVERSING SPEED.....	0-20 m/min STEPLESS
TRAVELLING SPEED.....	0-32 m/min STEPLESS
WEIGHT OF TROLLEY.....	2.25t
WEIGHT OF CRANE.....	23.6t
POWER SUPPLY.....	380V/48V/50Hz
CRANE GROUP.....	FEM A5
HOIST GROUP.....	MS(FEM 2m)
BRIDGE TRAVEL GROUP.....	MS(FEM 2m)
SUPPLY POWER.....	21.6kW
TOLERANCES ACC. TO ISO/FEM STANDARD	
BRIDGE PAINT:	E120/RAL1028
DRAWING NOT IN SCALE	



PRELIMINARY DRAWING/OFFER ONLY.

Name						RU02		
Material code						Part Name		
Rev.	Pcs.	Area	Mod. Index	Modified	Date	Stage	Weight(kg)	Issue
Designed		RU02		Standardized				
Checked				Approved	2024/02/15		23600	A0
Verified		2024/02/15				Size		
Processed			Scale	1:35	A2	Total	Page	DWG No.

HOIST

KD32tX28mX12m-A5