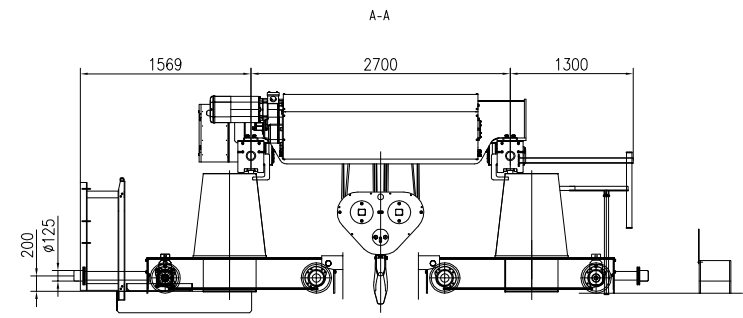
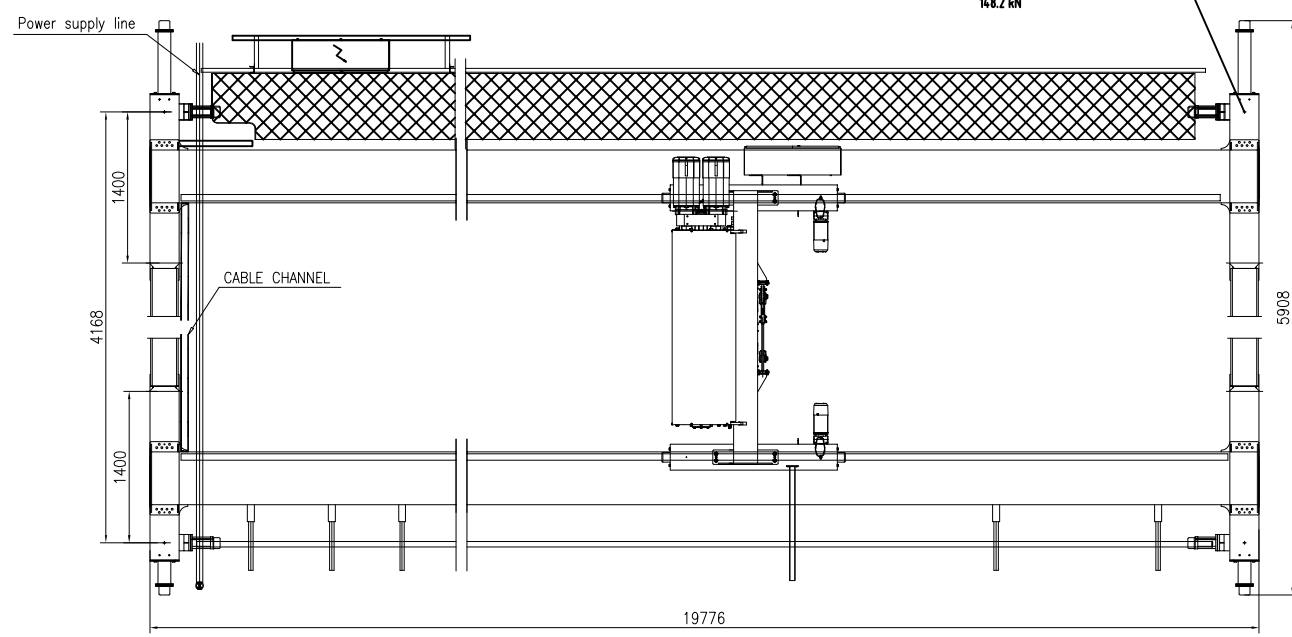


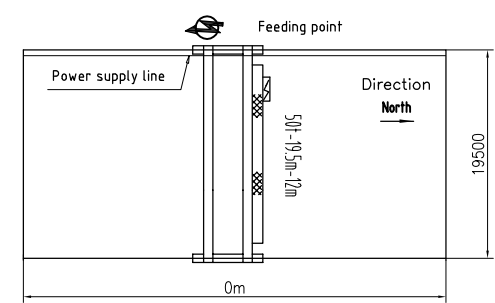
MAX. STATIC WHEEL LOAD
148.2 kN



CRANE END STOP
SUPPLIED BY CUSTOMER

TECHNICAL DATA

| | |
|-------------------------------------|-----------------------|
| LOAD..... | 50t |
| SPAN..... | 19.5m |
| LIFTING HEIGHT..... | 12m |
| HOISTING SPEED..... | 2.5/0.4 m/min 2-SPEED |
| TRAVERSING SPEED..... | 0-20 m/min STEPLESS |
| TRAVELLING SPEED..... | 0-32 m/min STEPLESS |
| WEIGHT OF TROLLEY..... | 3.16t |
| WEIGHT OF CRANE..... | 18.3t |
| POWER SUPPLY..... | 380V/48V/50Hz |
| CRANE GROUP..... | FEM A5 |
| HOIST GROUP..... | MS(FEM 2m) |
| BRIDGE TRAVEL GROUP..... | MS(FEM 2m) |
| SUPPLY POWER..... | 38.8kW |
| TOLERANCES ACC. TO ISO/FEM STANDARD | |
| BRIDGE PAINT: E120/RAL1028 | |
| DRAWING NOT IN SCALE | |



PRELIMINARY DRAWING/OFFER ONLY.

| | | | | | | | |
|---------------|------|------------|-----------|--------------|------------|----------------------|------------|
| Name | | | | | | RU02 | |
| Material code | | | | | | Part Name | |
| Rev. | Pts. | Area | Mod.Index | Modified | Date | Stage | Weight(Kg) |
| Designed | | RU02 | | Standardized | | | |
| Checked | | | | Approved | 2024/02/15 | | 18300 |
| Verified | | 2024/02/15 | | Size | | | A0 |
| Processed | | | Scale | 1:35 | A2 | Total | Page |
| DWG No. | | | | | | K0501x19.5m x 12m-A5 | |