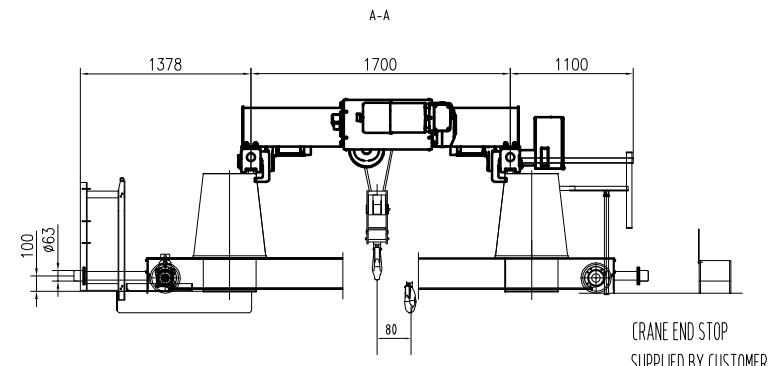
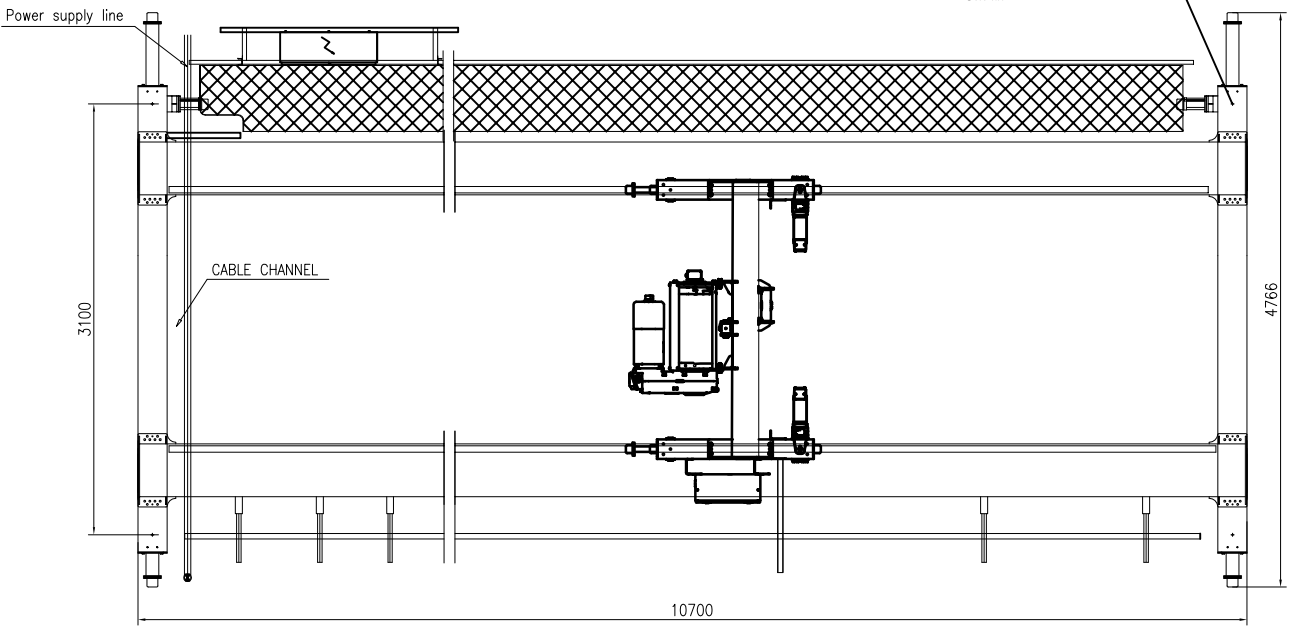


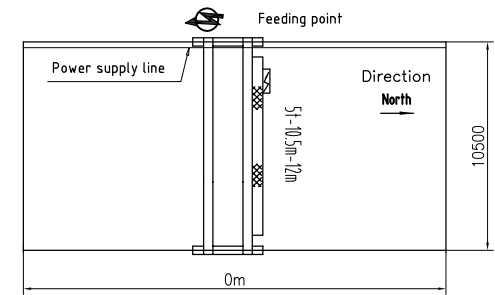
RAIL 50x30 Note: The lowest point of the Endcarriage is from the rail beam=12

MAX. STATIC WHEEL LOAD  
38.8 kN



TECHNICAL DATA

|                                     |                     |
|-------------------------------------|---------------------|
| LOAD.....                           | 5t                  |
| SPAN.....                           | 10.5m               |
| LIFTING HEIGHT.....                 | 12m                 |
| HOISTING SPEED.....                 | 4/0.7 m/min 2-SPEED |
| TRAVERSING SPEED.....               | 0-20 m/min STEPLESS |
| TRAVELLING SPEED.....               | 0-32 m/min STEPLESS |
| WEIGHT OF TROLLEY.....              | 0.93t               |
| WEIGHT OF CRANE.....                | 4.3t                |
| POWER SUPPLY.....                   | 380V/48V/50Hz       |
| CRANE GROUP.....                    | FEM A5              |
| HOIST GROUP.....                    | M6(FEM 3m)          |
| BRIDGE TRAVEL GROUP.....            | M5(FEM 2m)          |
| SUPPLY POWER.....                   | 9.4kW               |
| TOLERANCES ACC. TO ISO/FEM STANDARD |                     |
| BRIDGE PAINT:                       | E120/RAL1028        |
| DRAWING NOT IN SCALE                |                     |



PRELIMINARY DRAWING/OFFER ONLY.

|           |      |            |           |              |            |               |            |           |                     |
|-----------|------|------------|-----------|--------------|------------|---------------|------------|-----------|---------------------|
|           |      |            |           |              |            | Name          |            | RU02      |                     |
|           |      |            |           |              |            | Material code |            | Part Name |                     |
| Rev.      | Pts. | Area       | Mod.Index | Modified     | Date       | Stage         | Weight(Kg) | Issue     | K051x10.5m x 12m-A5 |
| Designed  |      | RU02       |           | Standardized |            |               |            |           |                     |
| Checked   |      |            |           | Approved     | 2024/03/20 |               | 4300       | A0        |                     |
| Verified  |      | 2024/03/20 |           |              |            |               |            |           |                     |
| Processed |      |            |           | Scale        | 1:35       | Size          | A2         | Total     |                     |
|           |      |            |           |              |            | Page          |            | DWG No.   |                     |