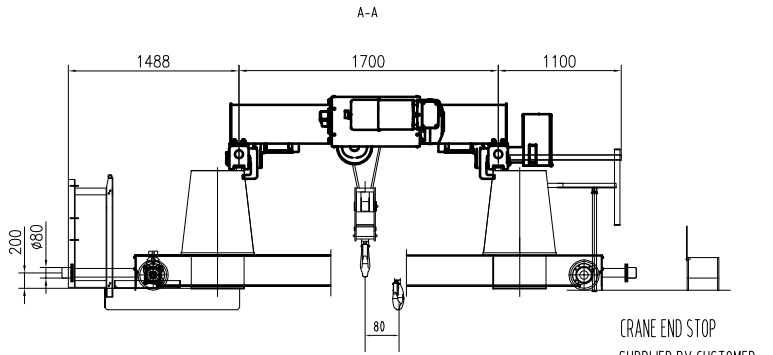
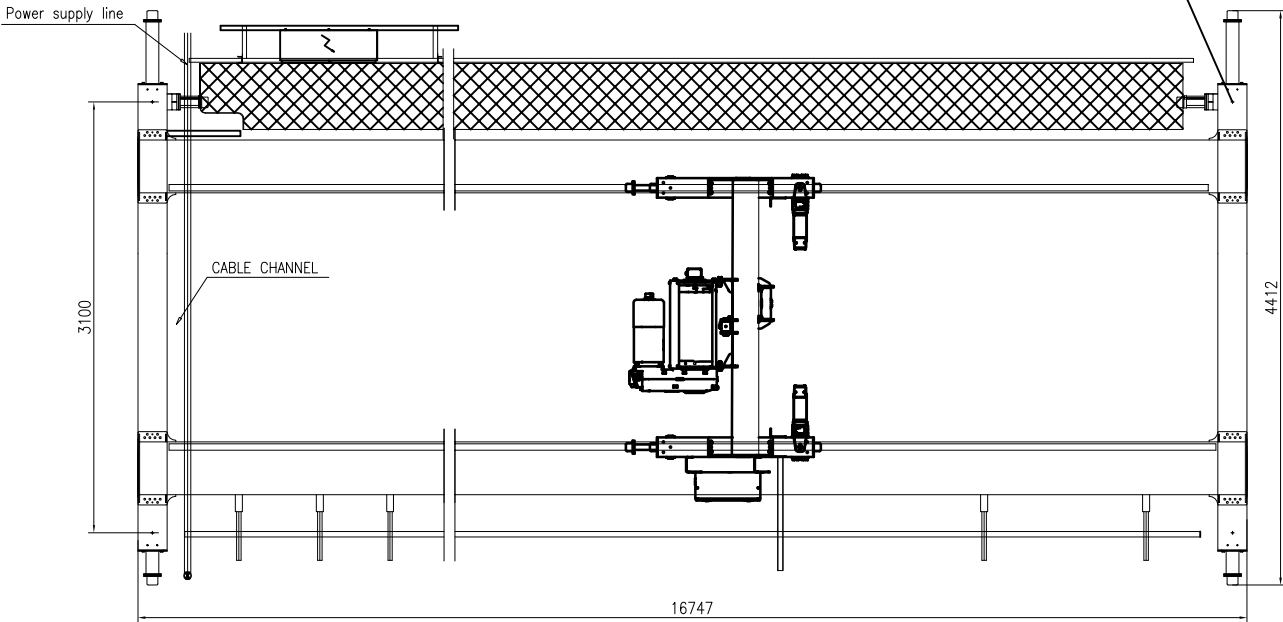


RAIL 50x30 Note: The lowest point of the Endcarriage is from the rail beam IS

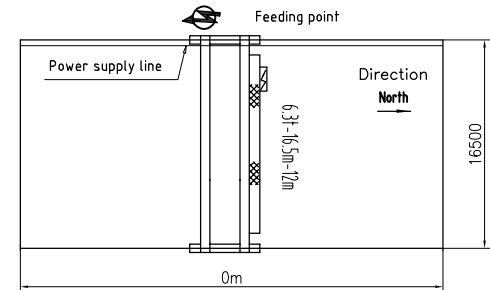
MAX. STATIC WHEEL LOAD
54.8 kN



CRANE END STOP
SUPPLIED BY CUSTOMER

TECHNICAL DATA

LOAD.....	6.3t
SPAN.....	16.5m
LIFTING HEIGHT.....	12m
HOISTING SPEED.....	8/13 m/min 2-SPEED
TRAVERSING SPEED.....	0-20 m/min STEPLESS
TRAVELLING SPEED.....	0-32 m/min STEPLESS
WEIGHT OF TROLLEY.....	0.93t
WEIGHT OF CRANE.....	7.7t
POWER SUPPLY.....	380V/48V/50Hz
CRANE GROUP.....	FEM A5
HOIST GROUP.....	M6(FEM 3m)
BRIDGE TRAVEL GROUP.....	M5(FEM 2m)
SUPPLY POWER.....	14.6kW
TOLERANCES ACC. TO ISO/FEM STANDARD	
BRIDGE PAINT: E120/RAL1028	
DRAWING NOT IN SCALE	



PRELIMINARY DRAWING/OFFER ONLY.

						Name		RU02	
						Material code		Part Name	
Rev.	Pcs.	Area	Mod.Index	Modified	Date	Stage	Weight(Kg)	Issue	Part Name
Designed	RU02	2024/03/20	Standardized						KD6.3t x 16.5m x 12m - A5
Checked			Approved		2024/03/20		7700	A0	
Verified		2024/03/20				Size			
Processed			Scale	1:35	A2	Total	Page	DWG No.	