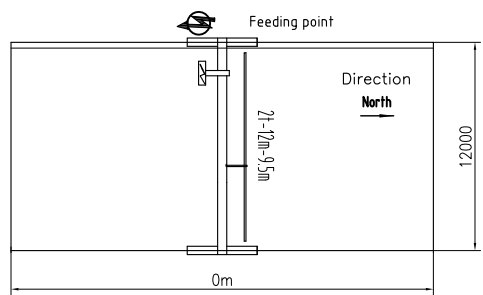
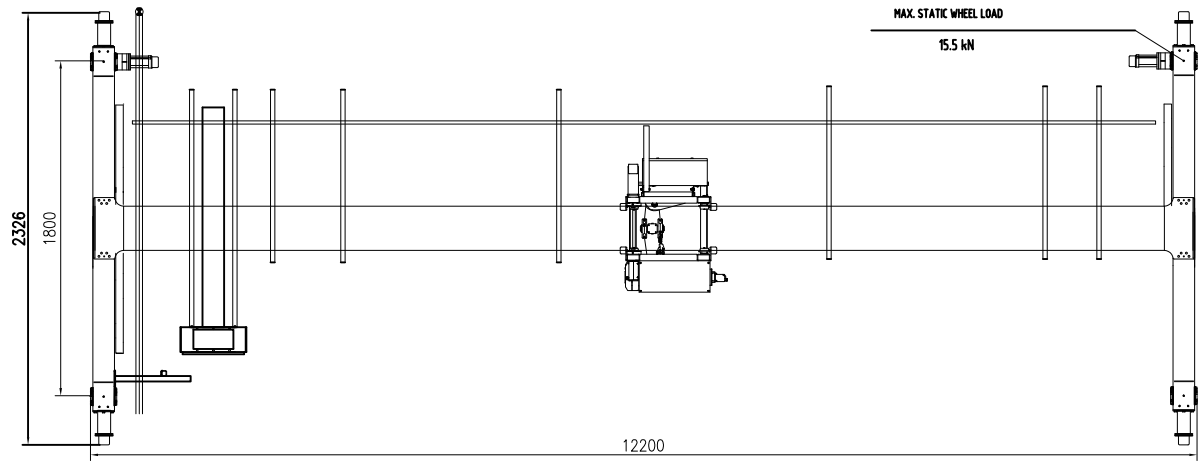


TECHNICAL DATA

LOAD.....	2t
SPAN.....	12m
LIFTING HEIGHT.....	9.5m
HOISTING SPEED.....	5/0.8 m/min 2-SPEED
TRAVERSING SPEED.....	0-20 m/min STEPLESS
TRAVELLING SPEED.....	0-32 m/min STEPLESS
WEIGHT OF TROLLEY.....	0.26t
WEIGHT OF CRANE.....	1.9t
POWER SUPPLY.....	380V/48V/50Hz
CRANE GROUP.....	FEM A5
HOIST GROUP.....	M6(FEM 3m)
BRIDGE TRAVEL GROUP.....	M5(FEM 2m)
SUPPLY POWER.....	2.75kW
TOLERANCES ACC. TO ISO/FEM STANDARD	
BRIDGE PAINT:	E120/RAL1028
DRAWING NOT IN SCALE	



PRELIMINARY DRAWING OFFER ONLY.

							Name			RU02		
							Material code			Part Name		
Rev.	Pcs.	Area	Mod.Index	Modified	Date							
Designed	RU02	2023/08/24	Standardized			Stage	Weight (Kg)	Issue	KS2t x 12m x 9.5m - A5			
Checked			Approved		2023/08/24		1900	A0				
Verified		2023/08/24				Size						
Processed			Scale	1:35	A2	Total	Page		DWG No.			