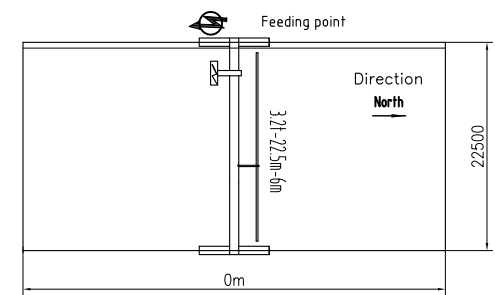
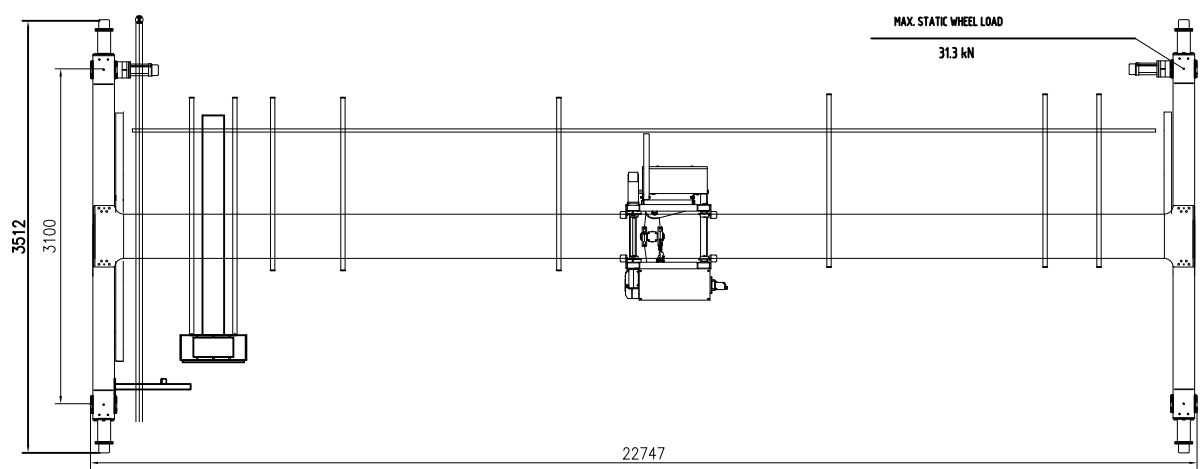


**TECHNICAL DATA**

LOAD.....	3.2t
SPAN.....	22.5m
LIFTING HEIGHT.....	6m
HOISTING SPEED.....	5/0.8 m/min 2-SPEED
TRAVERSING SPEED.....	0-20 m/min STEPLESS
TRAVELLING SPEED.....	0-32 m/min STEPLESS
WEIGHT OF TROLLEY.....	0.25t
WEIGHT OF CRANE.....	5.7t
POWER SUPPLY.....	380V/48V/50Hz
CRANE GROUP.....	FEM A5
HOIST GROUP.....	MS(FEM 2m)
BRIDGE TRAVEL GROUP.....	MS(FEM 2m)
SUPPLY POWER.....	5.65kW
TOLERANCES ACC. TO ISO/FEM STANDARD	
BRIDGE PAINT:	E120/RAL1028
DRAWING NOT IN SCALE	



PRELIMINARY DRAWING OFFER ONLY.



						Name			RU02		
						Material code			Part Name		
Rev.	Pcs.	Area	Mod.Index	Modified	Date	Stage			Weight (Kg)		
Designed	RU02	2023/08/20	Standardized						KS3.2t x 22.5m x 6m - A5		
Checked			Approved		2023/08/20				5700		
Verified		2023/08/20				Size			A0		
Processed			Scale	1:35	A2	Total			Page		
						DWG No.					