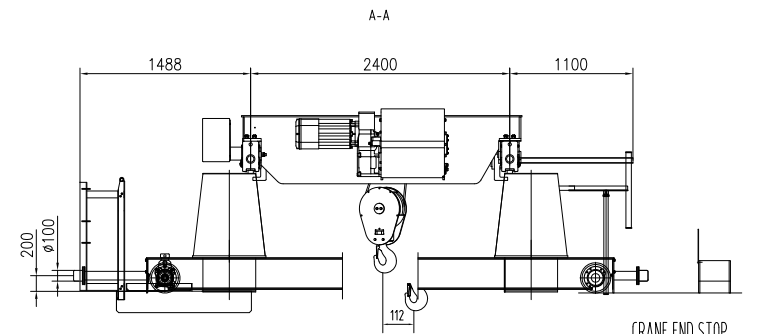


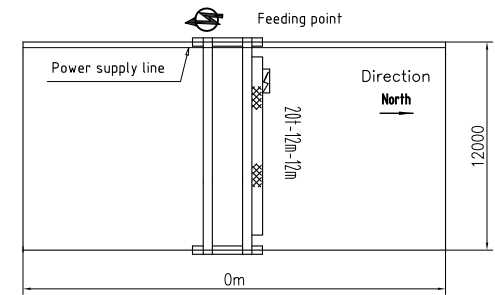
MAX. STATIC WHEEL LOAD  
126.2 kN



CRANE END STOP  
SUPPLIED BY CUSTOMER

TECHNICAL DATA

LOAD.....	20t
SPAN.....	12m
LIFTING HEIGHT.....	12m
HOISTING SPEED.....	3.2/0.5 m/min 2-SPEED
TRAVERSING SPEED.....	0-20 m/min STEPLESS
TRAVELLING SPEED.....	0-32 m/min STEPLESS
WEIGHT OF TROLLEY.....	1.94t
WEIGHT OF CRANE.....	8.4t
POWER SUPPLY.....	380V/48V/50Hz
CRANE GROUP.....	FEM A5
HOIST GROUP.....	M6(FEM 3m)
BRIDGE TRAVEL GROUP.....	M5(FEM 2m)
SUPPLY POWER.....	15.5kW
TOLERANCES ACC. TO ISO/FEM STANDARD	
BRIDGE PAINT:	E120/RAL1028
DRAWING NOT IN SCALE	



PRELIMINARY DRAWING/OFFER ONLY.

						Name		RU02	
						Material code		Part Name	
Rev.	Pcs.	Area	Mod.Index	Modified	Date	Stage	Weight(Kg)	Issue	
Designed	RU02	2023/08/26	Standardized						KD20t x 12m x 12m - A5
Checked			Approved		2023/08/26		8400	A0	
Verified		2023/08/26				Size			
Processed			Scale	1:35	A2	Total	Page	DWG No.	