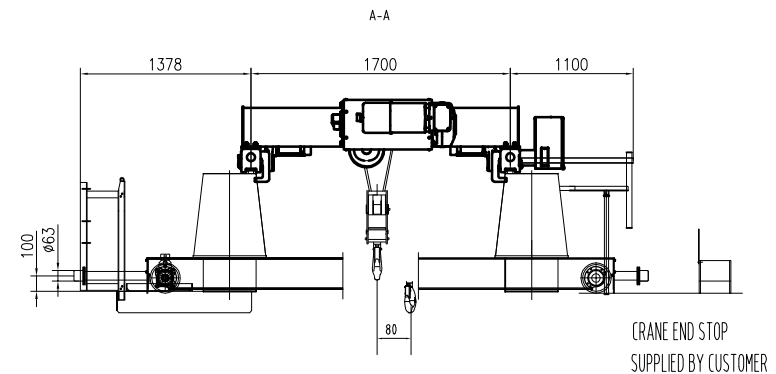
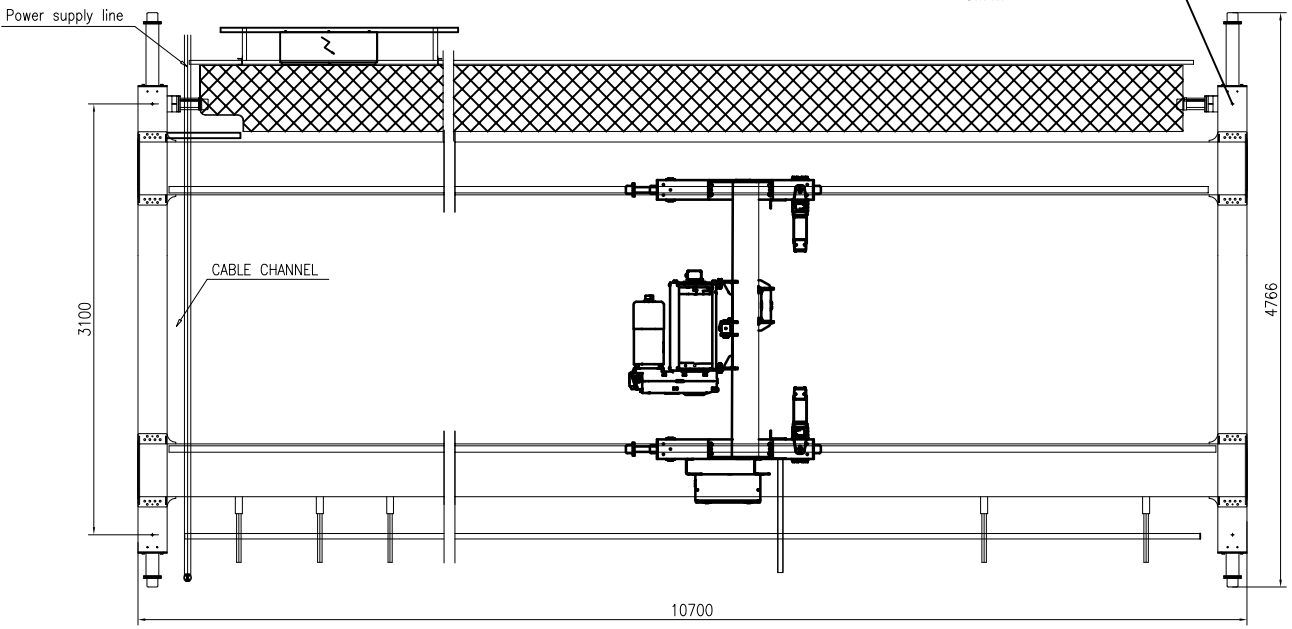


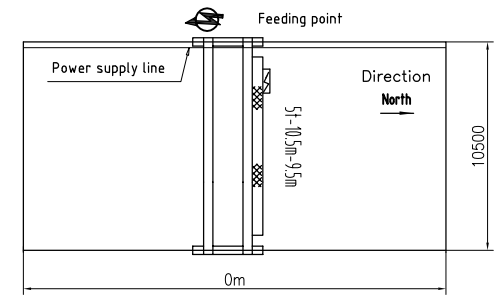
RAIL 50x30 Note: The lowest point of the Endcarriage is from the rail beam=12

MAX. STATIC WHEEL LOAD
38.8 kN



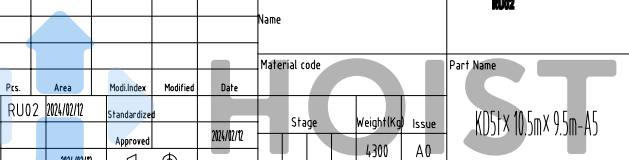
TECHNICAL DATA

| | |
|-------------------------------------|---------------------|
| LOAD..... | 5t |
| SPAN..... | 10.5m |
| LIFTING HEIGHT..... | 9.5m |
| HOISTING SPEED..... | 4/0.7 m/min 2-SPEED |
| TRAVERSING SPEED..... | 0-20 m/min STEPLESS |
| TRAVELLING SPEED..... | 0-32 m/min STEPLESS |
| WEIGHT OF TROLLEY..... | 0.93t |
| WEIGHT OF CRANE..... | 4.3t |
| POWER SUPPLY..... | 380V/48V/50Hz |
| CRANE GROUP..... | FEM A5 |
| HOIST GROUP..... | M6(FEM 3m) |
| BRIDGE TRAVEL GROUP..... | M5(FEM 2m) |
| SUPPLY POWER..... | 8.1kW |
| TOLERANCES ACC. TO ISO/FEM STANDARD | |
| BRIDGE PAINT: | E120/RAL1028 |
| DRAWING NOT IN SCALE | |



PRELIMINARY DRAWING/OFFER ONLY.

| | | | | | | | | |
|---------------|------|------------|--------------|----------|------------|-----------|-------------|---------|
| Name | | | | | | RU02 | | |
| Material code | | | | | | Part Name | | |
| Rev. | Pts. | Area | Mod. Index | Modified | Date | Stage | Weight (Kg) | Issue |
| Designed | RU02 | 2024/02/12 | Standardized | | 2024/02/12 | | 4300 | A0 |
| Checked | | | Approved | | | | | |
| Verified | | 2024/02/12 | | | Size | | | |
| Processed | | | Scale | 1:35 | A2 | Total | Page | DWG No. |



KDS1x10.5m x 9.5m-A5