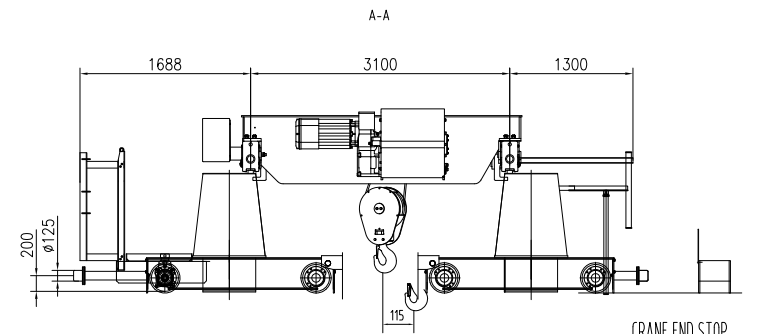
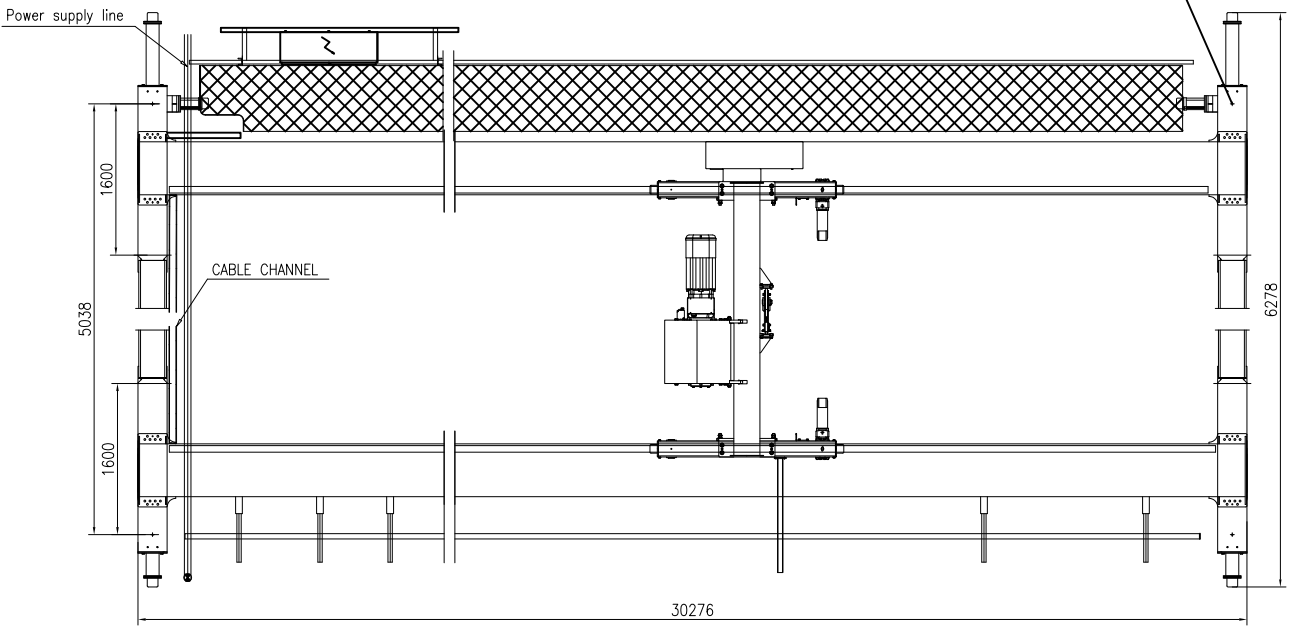


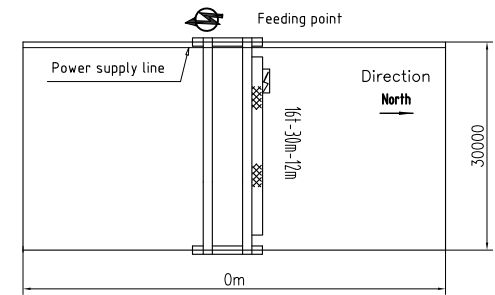
MAX. STATIC WHEEL LOAD
77.24 kN



CRANE END STOP
SUPPLIED BY CUSTOMER

TECHNICAL DATA

LOAD.....	16t
SPAN.....	30m
LIFTING HEIGHT.....	12m
HOISTING SPEED.....	5/0.8 m/min 2-SPEED
TRAVERSING SPEED.....	0-20 m/min STEPLESS
TRAVELLING SPEED.....	0-32 m/min STEPLESS
WEIGHT OF TROLLEY.....	1.76t
WEIGHT OF CRANE.....	22.4t
POWER SUPPLY.....	380V/48V/50Hz
CRANE GROUP.....	FEM A5
HOIST GROUP.....	MS(FEM 2m)
BRIDGE TRAVEL GROUP.....	MS(FEM 2m)
SUPPLY POWER.....	20.7kW
TOLERANCES ACC. TO ISO/FEM STANDARD	
BRIDGE PAINT:	E120/RAL1028
DRAWING NOT IN SCALE	



PRELIMINARY DRAWING/OFFER ONLY.

Name						RU02	
Material code						Part Name	
Rev.	Pcs.	Area	Mod.Index	Modified	Date	Stage	Weight (Kg)
Designed	RU02	2023/08/26	Standardized		2023/08/26		
Checked			Approved				22400
Verified		2023/08/26			Size		A0
Processed			Scale	1:35	A2	Total	Page
Name						RU02	
Material code						Part Name	
Stage						Issue	
Weight (Kg)						22400	
Size						A0	
Scale						1:35	
Total						Page	
DWG No.						KD16t x 30m x 12m - A5	