

### TECHNICAL DATA

SPAN	: 8.2 m	MAIN / CONTROL VOLTAGE	: 400 / 48 V; 50 Hz
LENGTH OF RUNWAY	: 20 m	CRANE CLASSIFICATION	: DIN 15018 H1 B3
LOAD OF BRIDGE	: 1250 kg	HOIST GROUP	: M4
LIFTING HEIGHT	: 3 m	TOTAL INSTALLATION APPROX. WEIGHT	: 1509 kg
HOISTING SPEED	: 4 / 1.3 m/min	VERTICAL LOAD (CYCLING) IN ONE SUSPENSION:	
TRAVELLING SPEED	: MANUAL	MAX. TRACK 1	: 1660 kg
TRAVERSING SPEED	: MANUAL	MAX. TRACK 2	: 1621 kg
RUNWAY PROFILE	: ST II / ST II-R		
BRIDGE PROFILE	: ST II-H		

ACCEPTED BY:

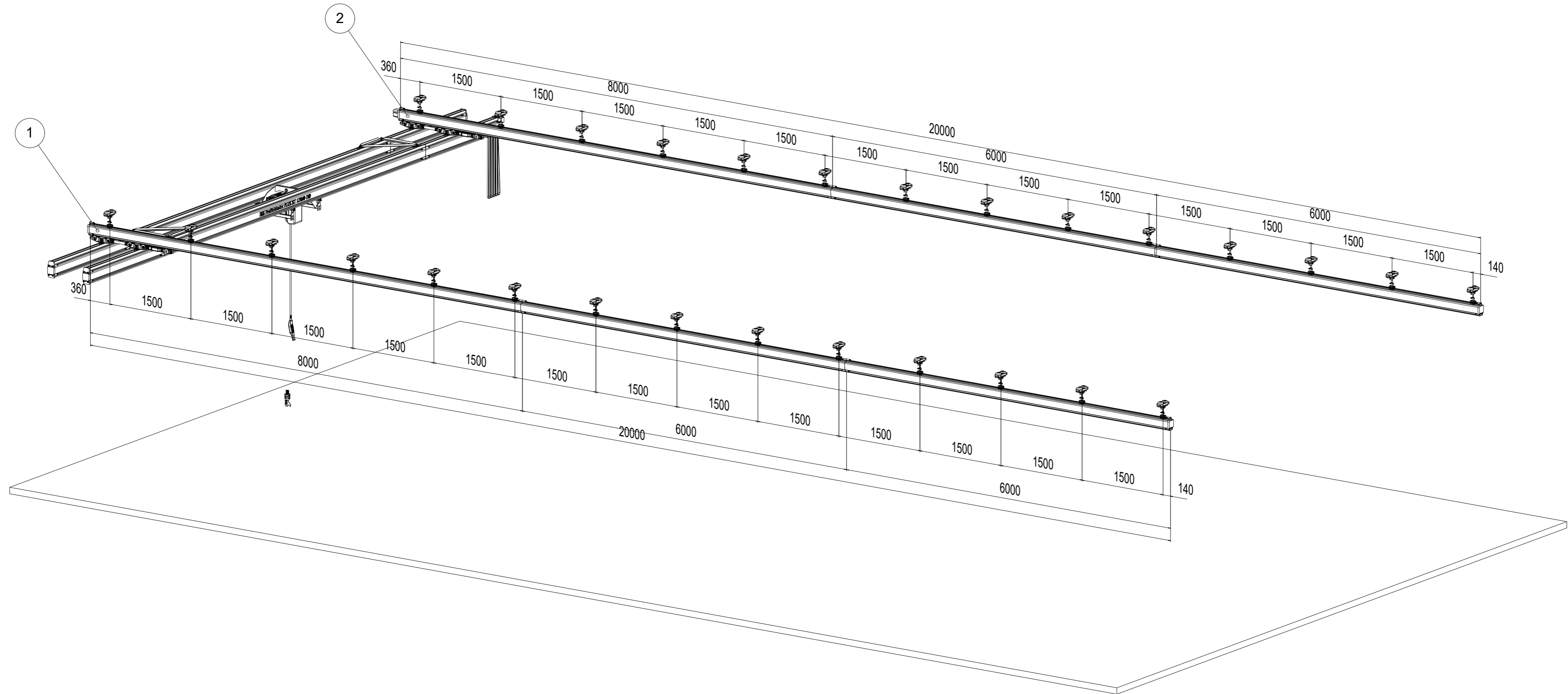
COMPANY:

DATE:

Pos	Amount	Description	Specification
		scgdma/Germany	DAS / M@ngo
		Design	Vx proj
		2019.03.15	
		Date	
		Dept	
			Double girder crane ST 1250 kg x 8200 mm
			0
			scgdma-000089-1-51911346-0

SWF Kramtechnik reserves the right to alter or amend the above information without notice.  
 This document and the information contained herein is the exclusive property of SWF Kramtechnik and represents a non-public,  
 confidential and proprietary trade secret that may not be reproduced, disclosed to third parties, altered or otherwise employed in any  
 manner whatsoever without the express written consent of SWF Kramtechnik GmbH. Copyright © SWF Kramtechnik. All rights reserved.

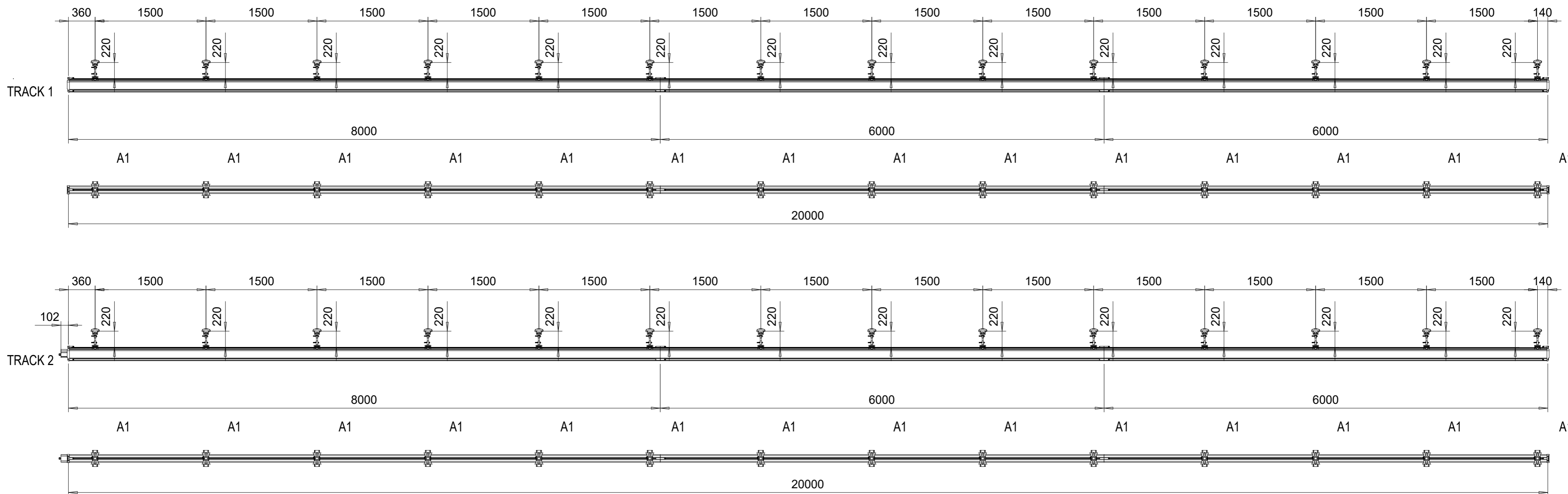
REV	CHANGE DESCRIPTION	ECN	DATE	REVISED BY	APPROVED BY
-----	--------------------	-----	------	------------	-------------



2	1	TRACK 2	scgdma-000089-1-51911346-O-RA
1	1	TRACK 1	scgdma-000089-1-51911346-O-RA
Pos	Amount	Description	Specification
		scgdma/Germany	DAS / M@ngo
		Design	Appd
		2019.03.15	Ref drawing
		Date	Vx proj
		Dept	0
		<b>SWF</b> KRANTECHNIK	Double girder crane ST 1250 kg x 8200 mm
			scgdma-000089-1-51911346-O-I

SWF Krantechnik reserves the right to alter or amend the above information without notice.  
 This document and the information contained herein is the exclusive property of SWF Krantechnik and represents a non-public,  
 confidential and proprietary trade secret that may not be reproduced, disclosed to third parties, altered or otherwise employed in any  
 manner whatsoever without the express written consent of SWF Krantechnik GmbH. Copyright © SWF Krantechnik. All rights reserved.

REV	CHANGE DESCRIPTION	ECN	DATE	REVISED BY	APPROVED BY
-----	--------------------	-----	------	------------	-------------



SWF Krantechnik reserves the right to alter or amend the above information without notice. This document and the information contained herein is the exclusive property of SWF Krantechnik and represents a non-public, confidential and proprietary trade secret that may not be reproduced, disclosed to third parties, altered or otherwise employed in any manner whatsoever without the express written consent of SWF Krantechnik GmbH. Copyright © SWF Krantechnik. All rights reserved.

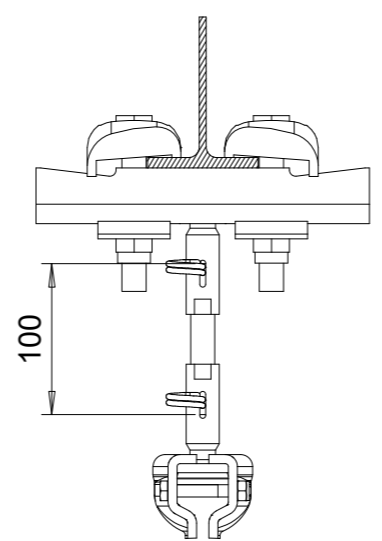
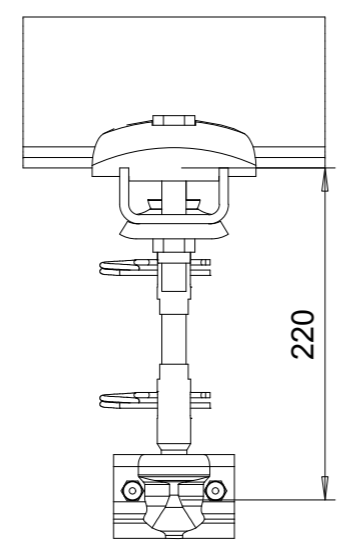
Pos	Amount	Description	Specification		
		scgdma/Germany	Chd	Appd	DAS / M@ngo
		Design			Vx proj
		2019.03.15	Double girder crane ST 1250 kg x 8200 mm		
		Date			
		Dept	0		
Twin copy		<b>SWF</b> KRANTECHNIK	scgdma-000089-1-51911346-O-RA		
			Issue		

1 2 3 4 5 6 7 8 9 10 11 12

REV	CHANGE DESCRIPTION	ECN	DATE	REVISED BY	APPROVED BY
-----	--------------------	-----	------	------------	-------------

A  
B  
C  
D  
E  
F  
G  
H

A  
B  
C  
D  
E  
F  
G  
H



A1  
UPPER SUSP.BRACKET A SUITS FOR:  
I 140-320  
IPE 140-270  
HE-B 100-120

SWF Kramtechnik reserves the right to alter or amend the above information without notice.  
 This document and the information contained herein is the exclusive property of SWF Kramtechnik and represents a non-public,  
 confidential and proprietary trade secret that may not be reproduced, disclosed to third parties, altered or otherwise employed in any  
 manner whatsoever without the express written consent of SWF Kramtechnik GmbH. Copyright © SWF Kramtechnik. All rights reserved.

Pos	Amount	Description	Specification
		scgdma/Germany	DAS / M@ngo
		Design	Chd Appd Ref drawing Vx proj
		2019.03.15	
		Date	Double girder crane ST 1250 kg x 8200 mm
		Dept	0
		<b>SWF</b> KRANTECHNIK	1:25 M-film
			Issue
			scgdma-000089-1-51911346-O-S

1 2 3 4 5 6 7 8 9 10 11 12