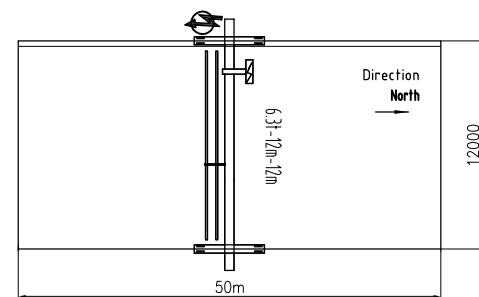
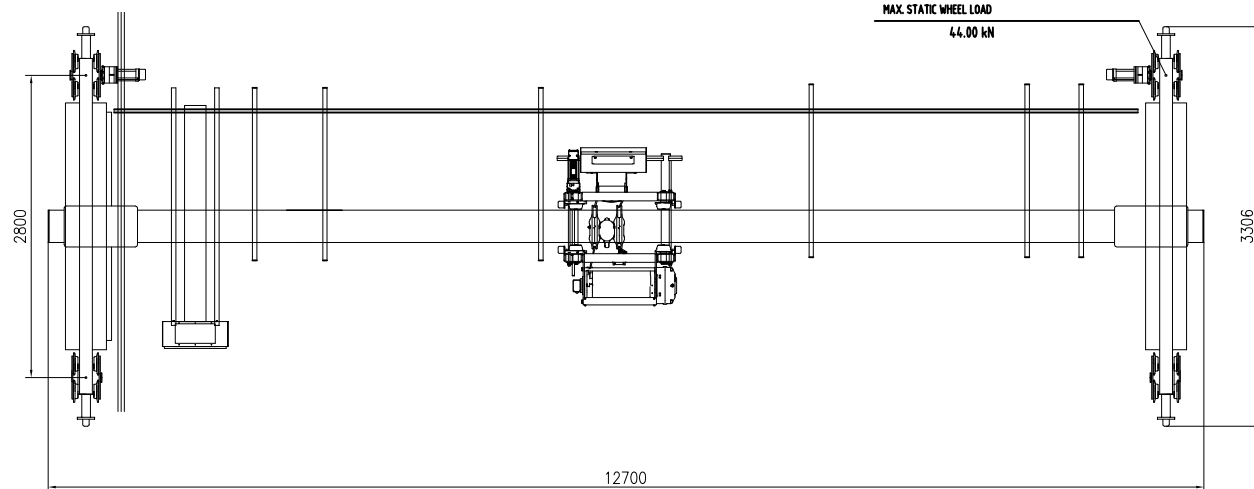


TECHNICAL DATA

LOAD.....	6.3t
SPAN.....	12m
LIFTING HEIGHT.....	12m
HOISTING SPEED.....	4/0.7 m/min 2-SPEED
TRAVERSING SPEED.....	0-20 m/min STEPLESS
TRAVELLING SPEED.....	0-20 m/min STEPLESS
WEIGHT OF TROLLEY.....	0.74t
WEIGHT OF CRANE.....	3.8t
POWER SUPPLY.....	380V/48V/50Hz
CRANE GROUP.....	FEM A5
HOIST GROUP.....	M6(FEM 3m)
BRIDGE TRAVEL GROUP.....	M5(FEM 2m)
SUPPLY POWER.....	9.9kW
TOLERANCES ACC. TO ISO/FEM STANDARD	
BRIDGE PAINT:	E120/RAL1028
DRAWING NOT IN SCALE	

MAX. STATIC WHEEL LOAD
44.00 kN



PRELIMINARY DRAWING, OFFER ONLY.

						Material	RU02		
						Material code	Part Name		
Rev.	Pcs.	Area	Mod.Index	Modified	Date	Stage	Weight(Kg)	Issue	KUG.31x12m x 12m-A5
Designed	RU02	2024/03/22	Standardized						
Checked			Approved		2024/03/22				
Verified		2024/03/22					3800	A0	
Processed			Scale	1:35	A2	Total	Page	DWG No.	