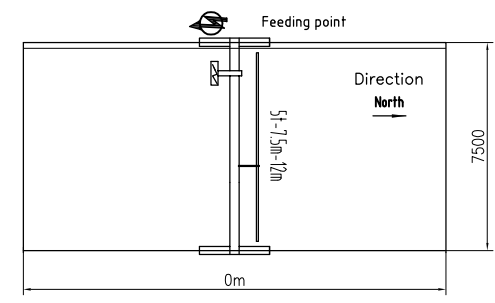
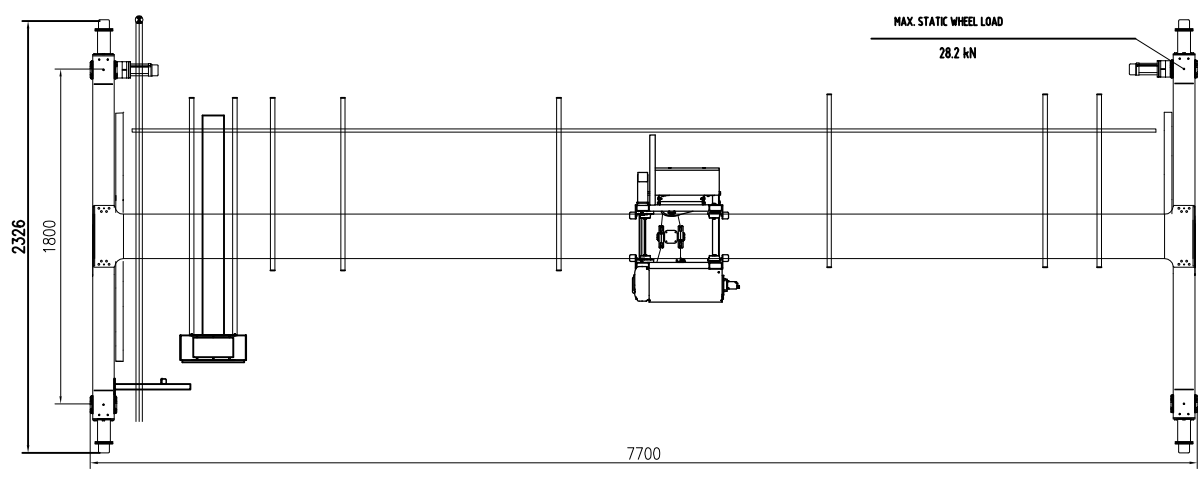


**TECHNICAL DATA**

LOAD.....	5t
SPAN.....	7.5m
LIFTING HEIGHT.....	12m
HOISTING SPEED.....	5/0.8 m/min 2-SPEED
TRAVERSING SPEED.....	0-20 m/min STEPLESS
TRAVELLING SPEED.....	0-32 m/min STEPLESS
WEIGHT OF TROLLEY.....	0.39t
WEIGHT OF CRANE.....	1.7t
POWER SUPPLY.....	380V/48V/50Hz
CRANE GROUP.....	FEM A5
HOIST GROUP.....	MSIFEM 2m
BRIDGE TRAVEL GROUP.....	MSIFEM 2m
SUPPLY POWER.....	6.25kW
TOLERANCES ACC. TO ISO/FEM STANDARD	
BRIDGE PAINT.....	E120/RAL1028
DRAWING NOT IN SCALE	



PRELIMINARY DRAWING OFFER ONLY.



							Name		RU02	
							Material code		Part Name	
Rev.	Pcs.	Area	Mod.Index	Modified	Date		Stage	Weight(Kg)	Issue	KSSFX 7.5m x 12m - A5
Designed	RU02	2024/02/08	Standardized		2024/02/08			1700	A0	
Checked			Approved		2024/02/08					
Verified		2024/02/08					Size			
Processed			Scale	1:35	A2		Total	Page	DWG No.	