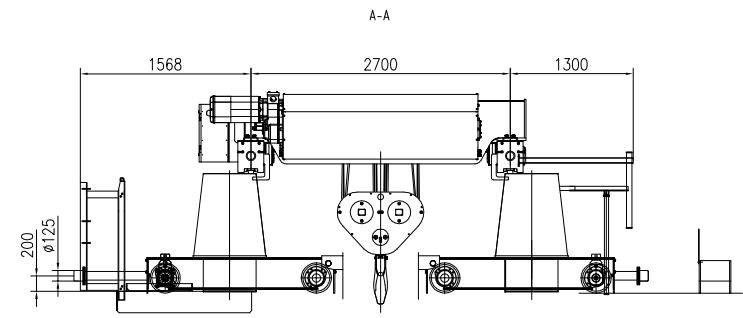
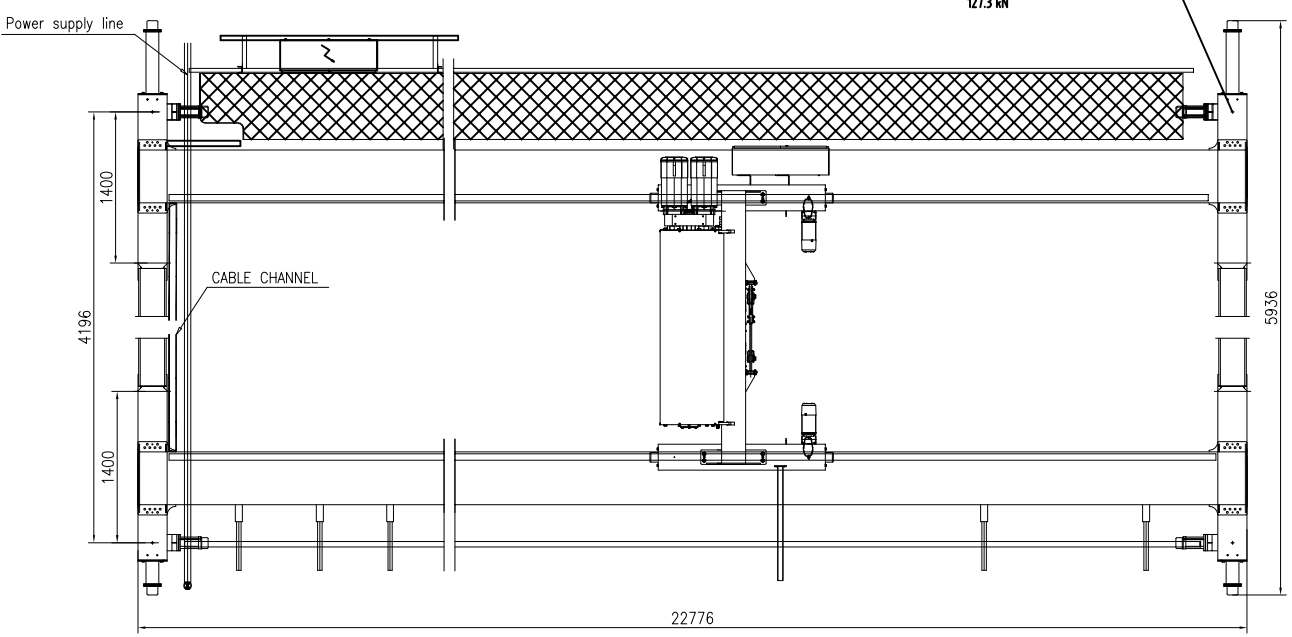


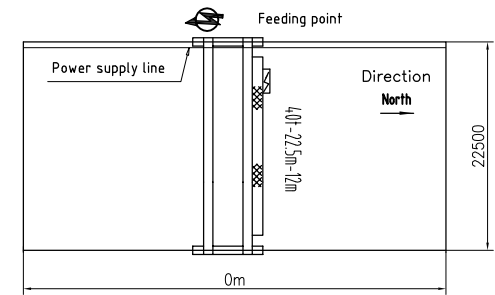
MAX. STATIC WHEEL LOAD  
127.3 kN



CRANE END STOP  
SUPPLIED BY CUSTOMER

TECHNICAL DATA

LOAD.....	40t
SPAN.....	22.5m
LIFTING HEIGHT.....	12m
HOISTING SPEED.....	4/0.7 m/min 2-SPEED
TRAVERSING SPEED.....	0-20 m/min STEPLESS
TRAVELLING SPEED.....	0-32 m/min STEPLESS
WEIGHT OF TROLLEY.....	2.7t
WEIGHT OF CRANE.....	19.6t
POWER SUPPLY.....	380V/48V/50Hz
CRANE GROUP.....	FEM A5
HOIST GROUP.....	M4(FEM 1Am)
BRIDGE TRAVEL GROUP.....	M5(FEM 2m)
SUPPLY POWER.....	36.6kW
TOLERANCES ACC. TO ISO/FEM STANDARD	
BRIDGE PAINT:	E120/RAL1028
DRAWING NOT IN SCALE	



PRELIMINARY DRAWING/OFFER ONLY.

						Name		RU02	
						Material code		Part Name	
Rev.	Pts.	Area	Mod.Index	Modified	Date	Stage	Weight(Kg)	Issue	
Designed	RU02	2024/02/15	Standardized		2024/02/15		19600	A0	
Checked			Approved		2024/02/15				
Verified		2024/02/15							
Processed			Scale	1:35	A2	Total	Page	DWG No.	