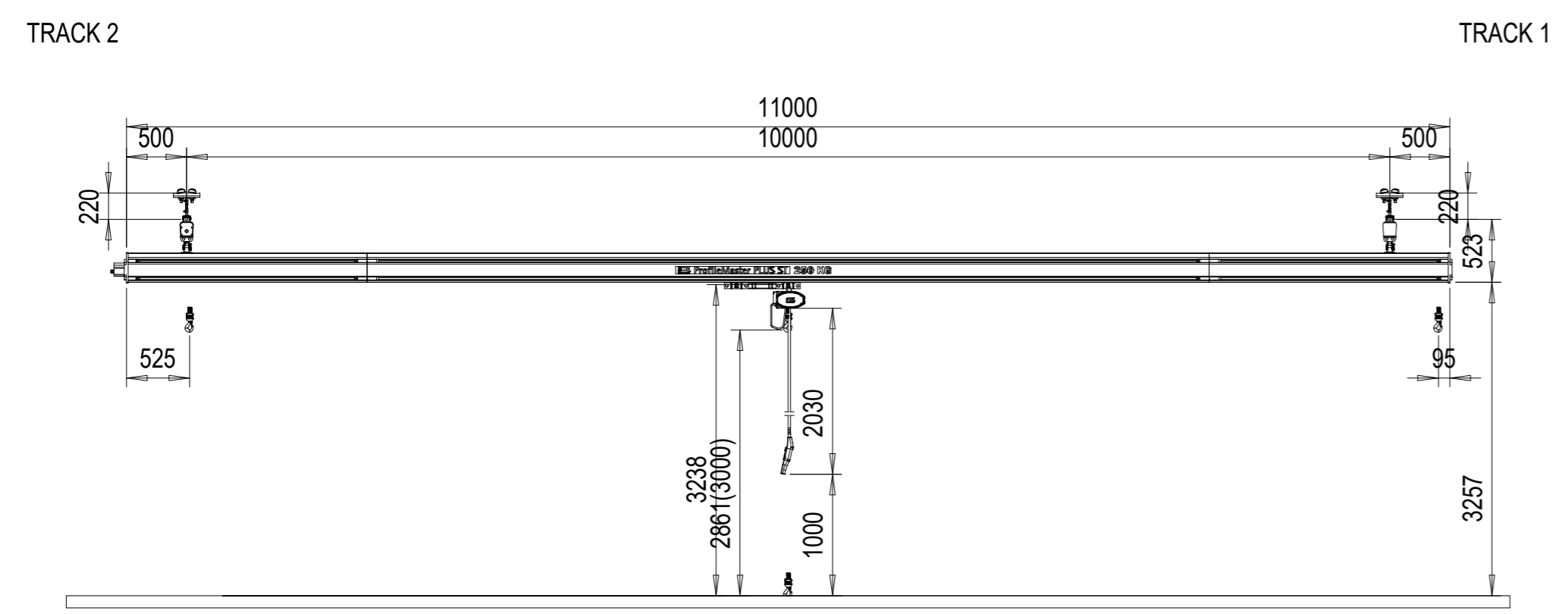
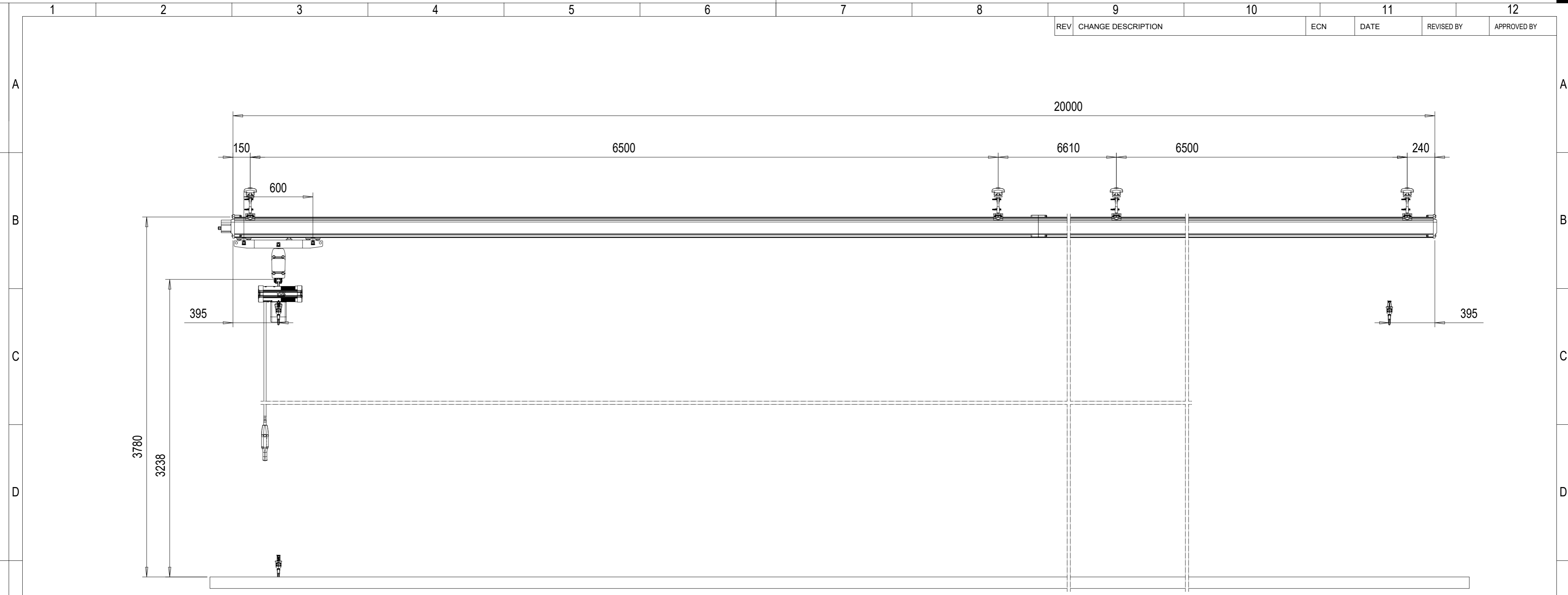


SWF Kranntechnik reserves the right to alter or amend the above information without notice.
 This document and the information contained herein is the exclusive property of SWF Kranntechnik and represents a non-public,
 confidential and proprietary trade secret that may not be reproduced, disclosed to third parties, altered or otherwise employed in any
 manner whatsoever without the express written consent of SWF Kranntechnik GmbH. Copyright © SWF Kranntechnik. All rights reserved.

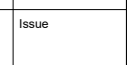
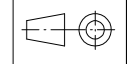
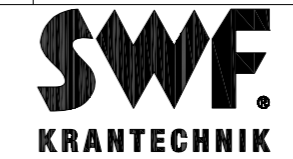
REV	CHANGE DESCRIPTION	ECN	DATE	REVISED BY	APPROVED BY

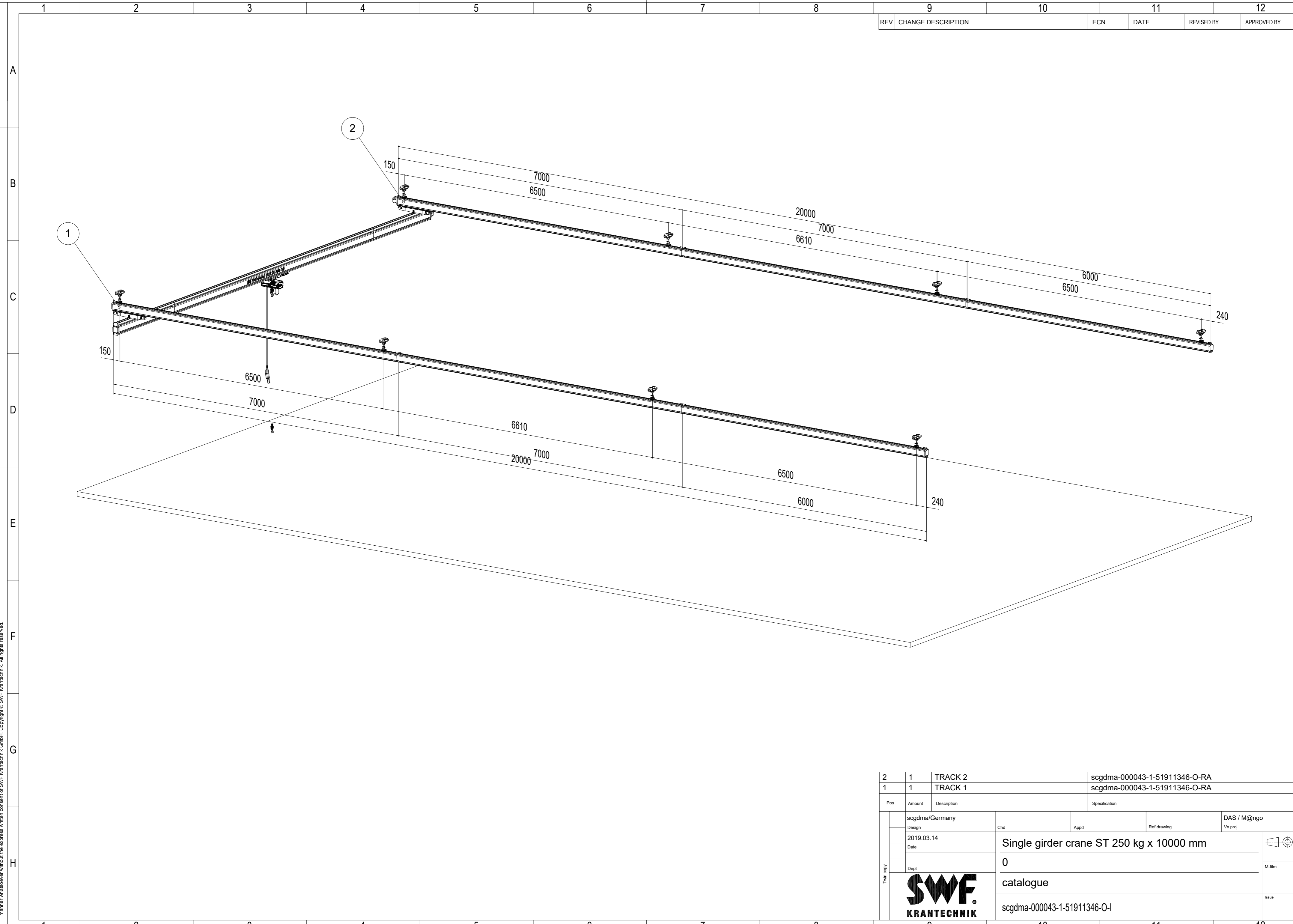


TECHNICAL DATA

SPAN	: 10 m	MAIN / CONTROL VOLTAGE	: 400 / 48 V; 50 Hz
LENGTH OF RUNWAY	: 20 m	CRANE CLASSIFICATION	: DIN 15018 H1 B3
LOAD OF BRIDGE	: 250 kg	HOIST GROUP	: M5
LIFTING HEIGHT	: 3 m	TOTAL INSTALLATION APPROX. WEIGHT	: 1082 kg
HOISTING SPEED	: 8 / 2 m/min	VERTICAL LOAD (CYCLING) IN ONE SUSPENSION:	
TRAVELLING SPEED	: MANUAL	MAX. TRACK 1	: 568 kg
TRAVERSING SPEED	: MANUAL	MAX. TRACK 2	: 567 kg
RUNWAY PROFILE	: ST II / ST II-R		
BRIDGE PROFILE	: ST II-H-R		

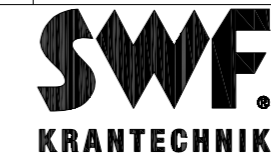
ACCEPTED BY:	Pos	Amount	Description	Specification
			scgdma/Germany	DAS / M@ngo
			Design	Chd Appd Ref drawing Vx proj
COMPANY:	Date		2019.03.14	Single girder crane ST 250 kg x 10000 mm
	Dept			0
DATE:				catalogue
				scgdma-000043-1-51911346-0



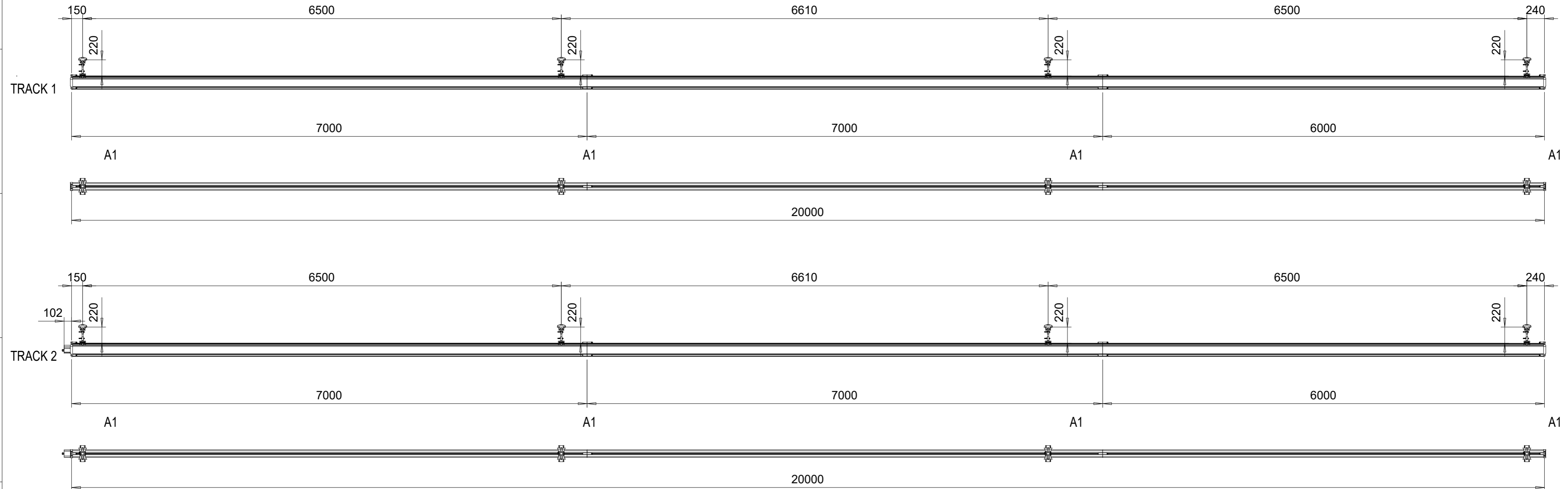


SWF Kramtechnik reserves the right to alter or amend the above information without notice.
 This document and the information contained herein is the exclusive property of SWF Kramtechnik and represents a non-public,
 confidential and proprietary trade secret that may not be reproduced, disclosed to third parties, altered or otherwise employed in any
 manner whatsoever without the express written consent of SWF Kramtechnik GmbH. Copyright © SWF Kramtechnik. All rights reserved.

2	1	TRACK 2	scgdma-000043-1-51911346-O-RA
1	1	TRACK 1	scgdma-000043-1-51911346-O-RA
Pos	Amount	Description	Specification
		scgdma/Germany	DAS / M@ngo
		Design	Chd
		2019.03.14	Appd
		Date	Ref drawing
			Vx proj
			Single girder crane ST 250 kg x 10000 mm
			0
			M-film
			catalogue
			scgdma-000043-1-51911346-O-I
			Issue



REV	CHANGE DESCRIPTION	ECN	DATE	REVISED BY	APPROVED BY
-----	--------------------	-----	------	------------	-------------

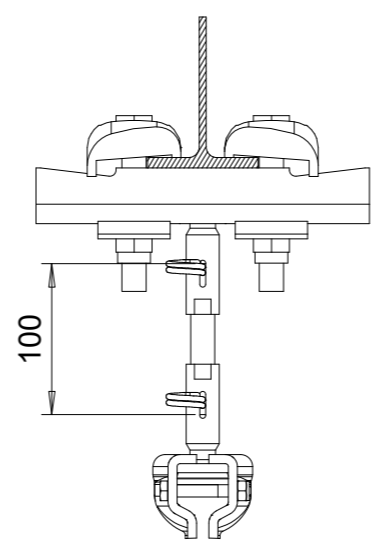
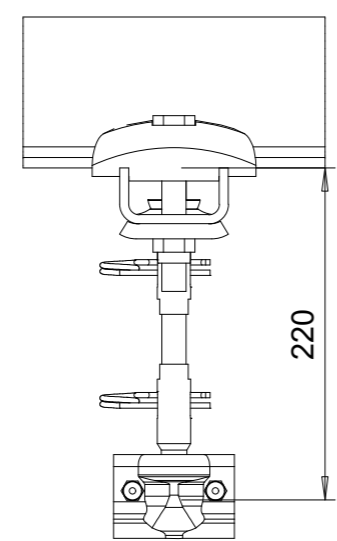


SWF Kranntechnik reserves the right to alter or amend the above information without notice.
 This document and the information contained herein is the exclusive property of SWF Kranntechnik and represents a non-public,
 confidential and proprietary trade secret that may not be reproduced, disclosed to third parties, altered or otherwise employed in any
 manner whatsoever without the express written consent of SWF Kranntechnik GmbH. Copyright © SWF Kranntechnik. All rights reserved.

Pos	Amount	Description	Specification
		scgdma/Germany	DAS / M@ngo
		Design	Vx proj
		2019.03.14	
		Date	
		Dept	
		SWF KRANTECHNIK	
		Single girder crane ST 250 kg x 10000 mm	1:20 M-film
		0	
		catalogue	
		scgdma-000043-1-51911346-O-RA	Issue

REV	CHANGE DESCRIPTION	ECN	DATE	REVISED BY	APPROVED BY
-----	--------------------	-----	------	------------	-------------

A
B
C
D
E
F
G
H



A1
UPPER SUSP.BRACKET A SUITS FOR:
I 140-320
IPE 140-270
HE-B 100-120

SWF Kramtechnik reserves the right to alter or amend the above information without notice.
 This document and the information contained herein is the exclusive property of SWF Kramtechnik and represents a non-public,
 confidential and proprietary trade secret that may not be reproduced, disclosed to third parties, altered or otherwise employed in any
 manner whatsoever without the express written consent of SWF Kramtechnik GmbH. Copyright © SWF Kramtechnik. All rights reserved.

Pos	Amount	Description	Specification			
		scgdma/Germany	Chd	Appd	Ref drawing	DAS / M@ngo
		Design				Vx proj
		2019.03.14				
		Date	Single girder crane ST 250 kg x 10000 mm			1:25
		Dept	0			M-film
		SWF KRANTECHNIK	catalogue			
			scgdma-000043-1-51911346-0-S			Issue