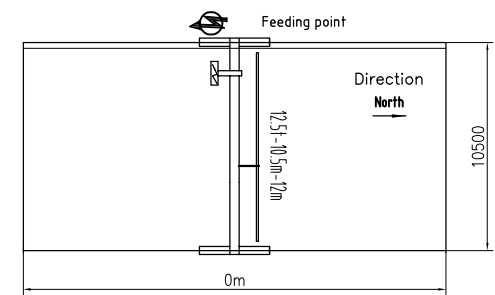
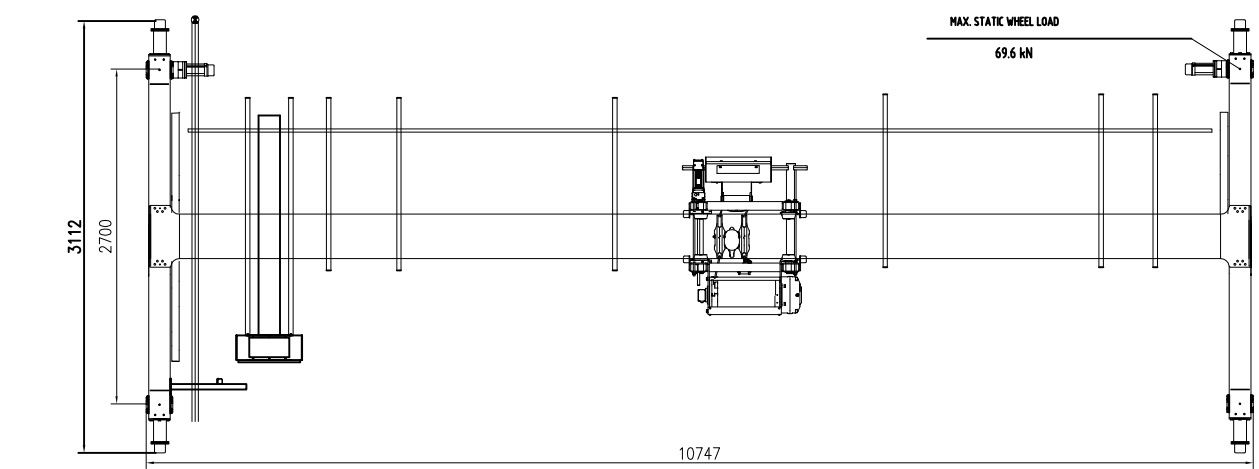


TECHNICAL DATA

LOAD.....	12.5t
SPAN.....	10.5m
LIFTING HEIGHT.....	12m
HOISTING SPEED.....	4/0.7 m/min 2-SPEED
TRAVERSING SPEED.....	0-20 m/min STEPLESS
TRAVELLING SPEED.....	0-32 m/min STEPLESS
WEIGHT OF TROLLEY.....	0.74t
WEIGHT OF CRANE.....	4.0t
POWER SUPPLY.....	380V/48V/50Hz
CRANE GROUP.....	FEM A5
HOIST GROUP.....	M4(FEM 1Am)
BRIDGE TRAVEL GROUP.....	MS(FEM 2m)
SUPPLY POWER.....	11.4kW
TOLERANCES ACC. TO ISO/FEM STANDARD	
BRIDGE PAINT: E120/RAL1028	
DRAWING NOT IN SCALE	



PRELIMINARY DRAWING OFFER ONLY.

						Name		RU02	
						Material code		Part Name	
Rev.	Pcs.	Area	Mod.Index	Modified	Date				
Designed	RU02	2024/03/22	Standardized			Stage	Weight(Kg)	Issue	KS12.5t x 10.5m x 12m-A5
Checked			Approved	2024/03/22		4000	A0		
Verified		2024/03/22			Size				
Processed			Scale	1:35	A2	Total	Page	DWG No.	