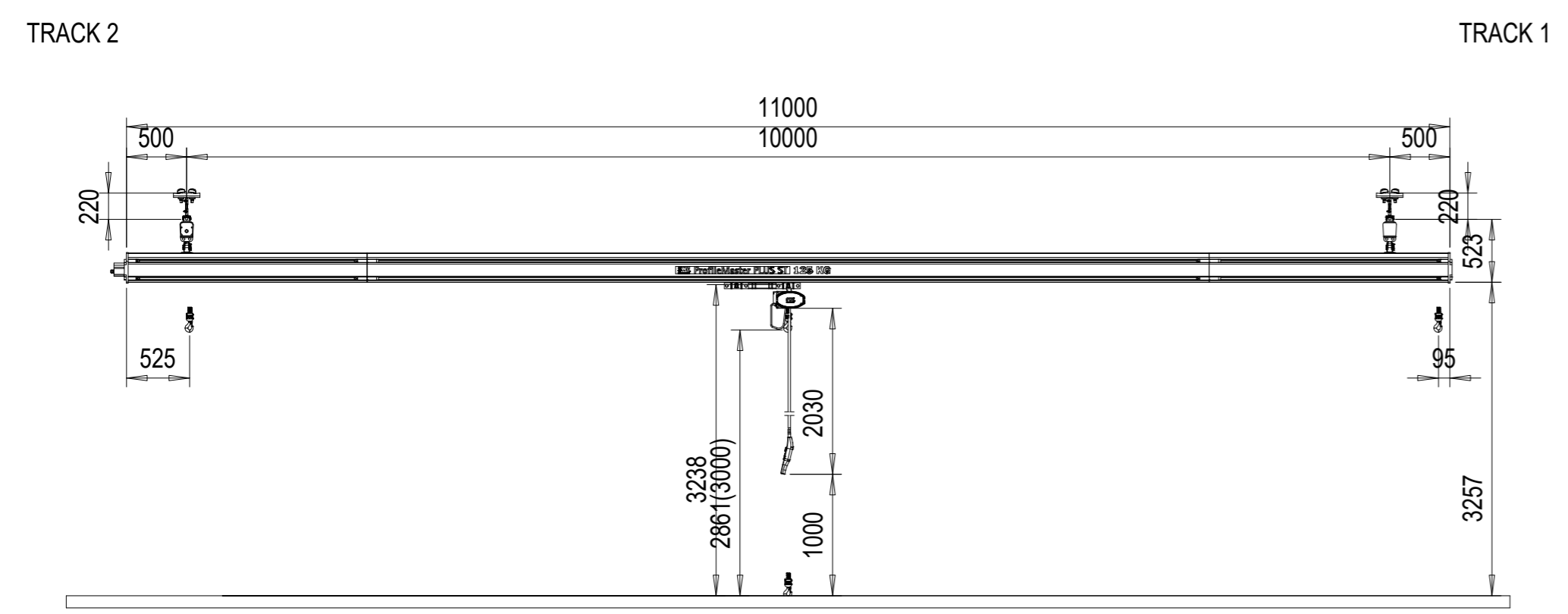
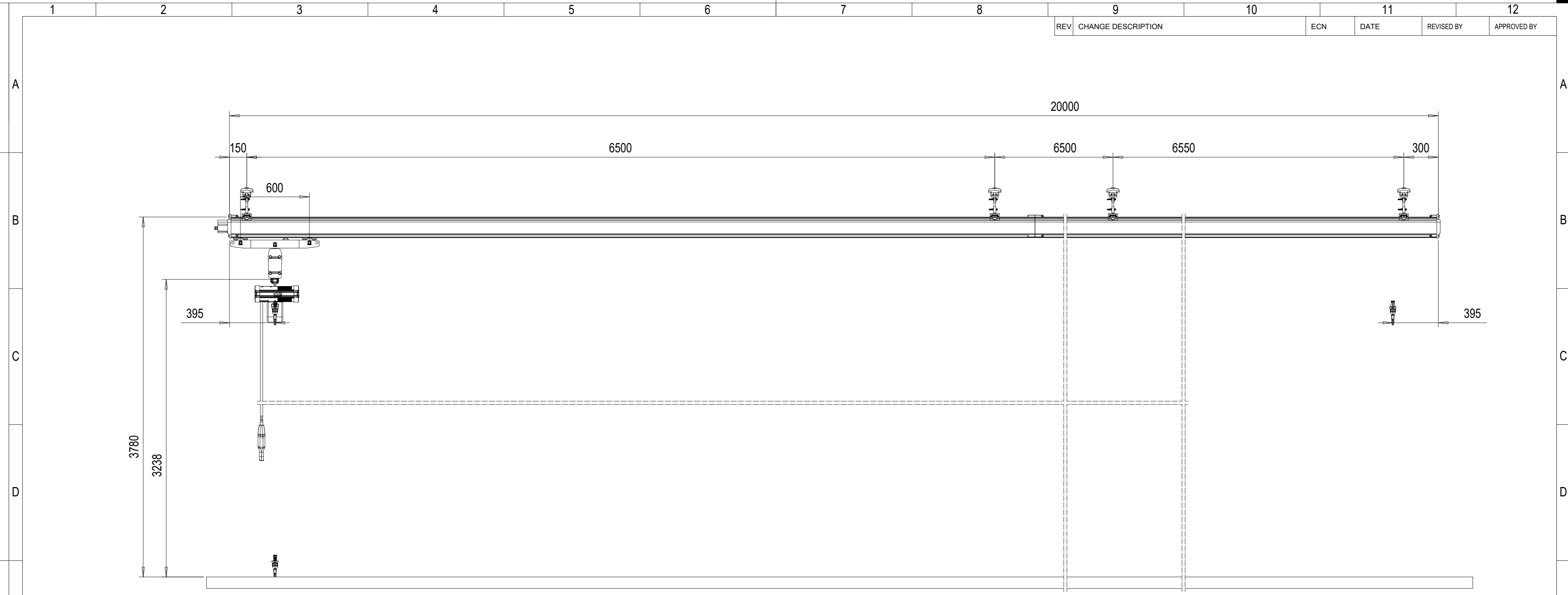


SWF Kramtechnik reserves the right to alter or amend the above information without notice.  
 This document and the information contained herein is the exclusive property of SWF Kramtechnik and represents a non-public,  
 confidential and proprietary trade secret that may not be reproduced, disclosed to third parties, altered or otherwise employed in any  
 manner whatsoever without the express written consent of SWF Kramtechnik GmbH. Copyright © SWF Kramtechnik. All rights reserved.

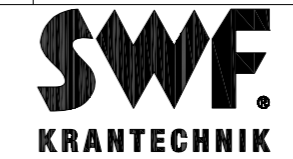
REV	CHANGE DESCRIPTION	ECN	DATE	REVISED BY	APPROVED BY



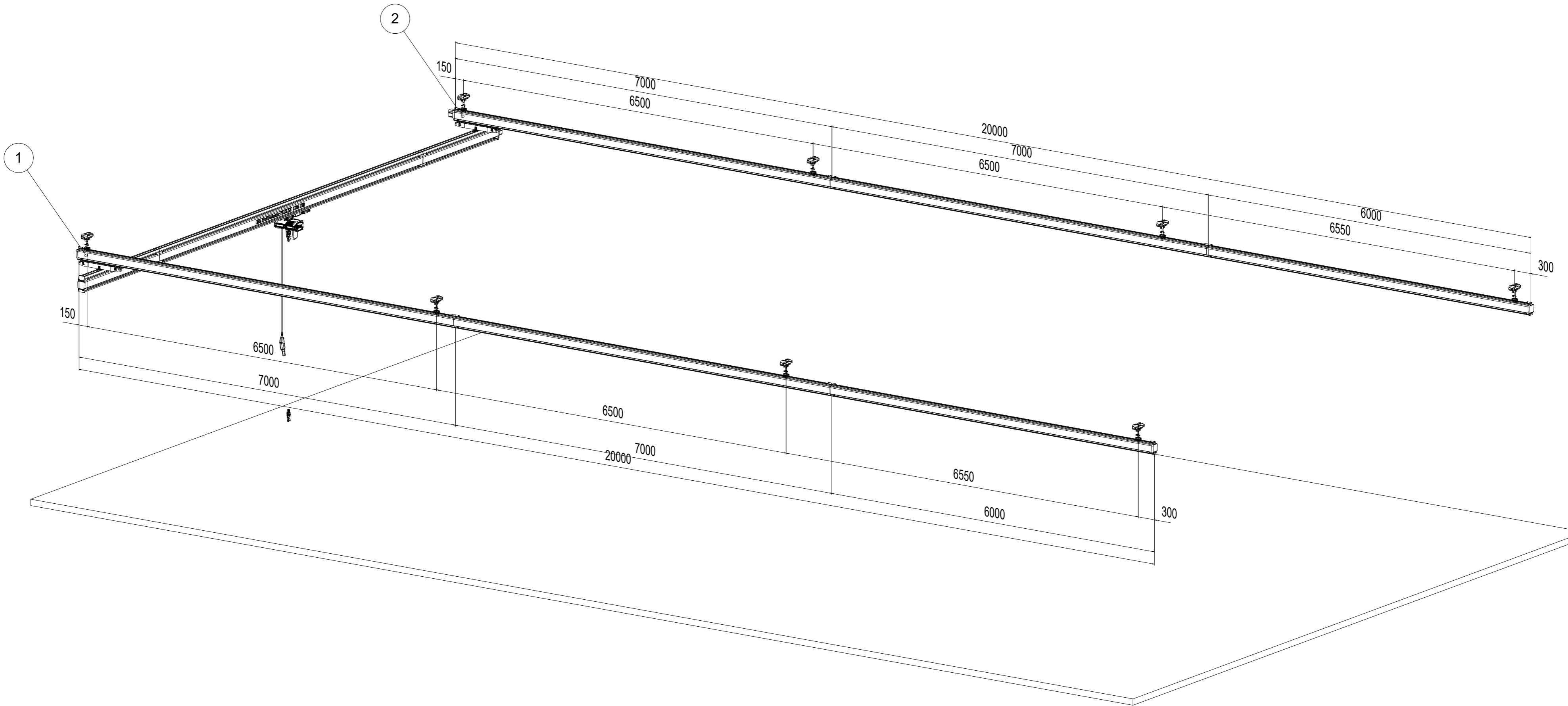
### TECHNICAL DATA

SPAN	: 10 m	MAIN / CONTROL VOLTAGE	: 400 / 48 V; 50 Hz
LENGTH OF RUNWAY	: 20 m	CRANE CLASSIFICATION	: DIN 15018 H1 B3
LOAD OF BRIDGE	: 125 kg	HOIST GROUP	: M6
LIFTING HEIGHT	: 3 m	TOTAL INSTALLATION APPROX. WEIGHT	: 1082 kg
HOISTING SPEED	: 8 / 2 m/min	VERTICAL LOAD (CYCLING) IN ONE SUSPENSION:	
TRAVELLING SPEED	: MANUAL	MAX. TRACK 1	: 438 kg
TRAVERSING SPEED	: MANUAL	MAX. TRACK 2	: 441 kg
RUNWAY PROFILE	: ST II / ST II-R		
BRIDGE PROFILE	: ST II-H-R		

ACCEPTED BY:	Pos	Amount	Description	Specification
COMPANY:		scgdma/Germany		DAS / M@ngo
		Design	Chd	Vx proj
		2019.03.14		
		Date		
DATE:			Single girder crane ST 125 kg x 10000 mm	M-film
			0	
			catalogue	
			scgdma-000039-1-51911346-0	



REV	CHANGE DESCRIPTION	ECN	DATE	REVISED BY	APPROVED BY
-----	--------------------	-----	------	------------	-------------



SWF Kramtechnik reserves the right to alter or amend the above information without notice.  
 This document and the information contained herein is the exclusive property of SWF Kramtechnik and represents a non-public,  
 confidential and proprietary trade secret that may not be reproduced, disclosed to third parties, altered or otherwise employed in any  
 manner whatsoever without the express written consent of SWF Kramtechnik GmbH. Copyright © SWF Kramtechnik. All rights reserved.

2	1	TRACK 2	scgdma-000039-1-51911346-O-RA
1	1	TRACK 1	scgdma-000039-1-51911346-O-RA
Pos	Amount	Description	Specification
		scgdma/Germany	DAS / M@ngo
		Design	Chd
		2019.03.14	Appd
		Date	Ref drawing
		Dept	Vx proj
		<b>SWF</b> KRANTECHNIK	Single girder crane ST 125 kg x 10000 mm
			0
			catalogue
			scgdma-000039-1-51911346-O-I

REV	CHANGE DESCRIPTION	ECN	DATE	REVISED BY	APPROVED BY

A

B

C

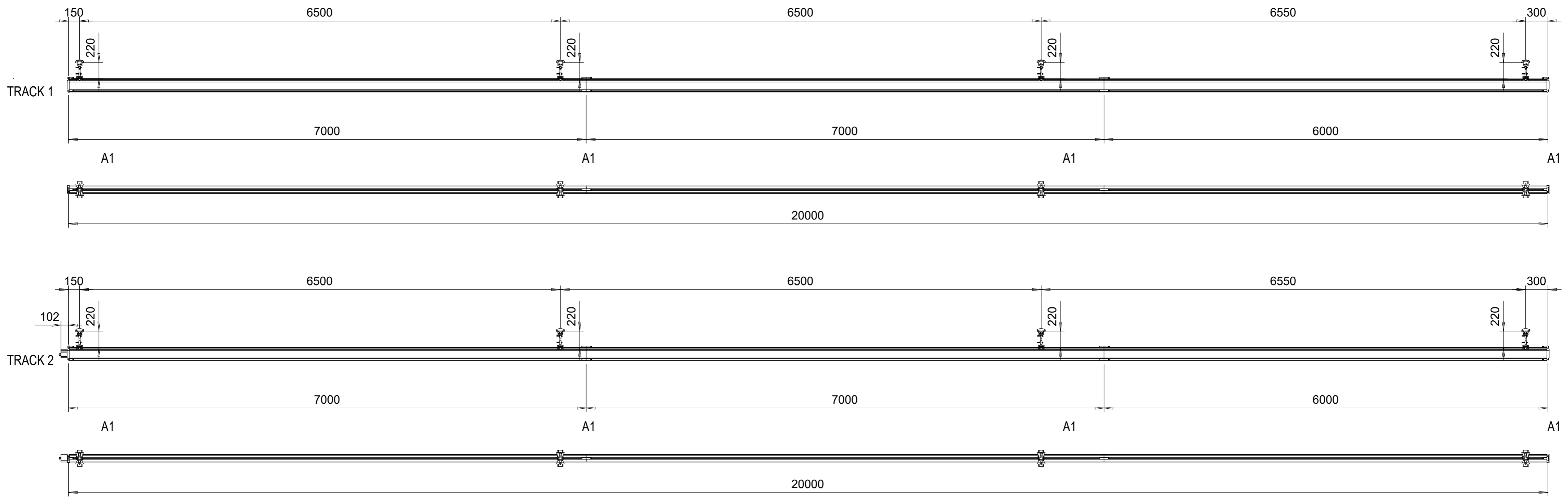
D

E

F

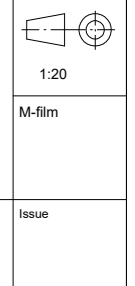
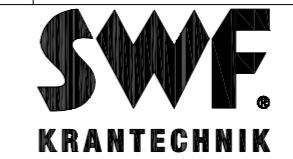
G

H



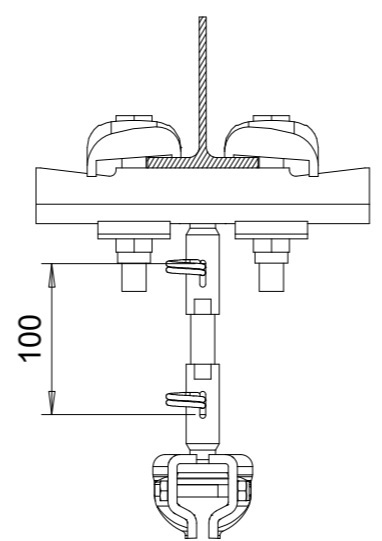
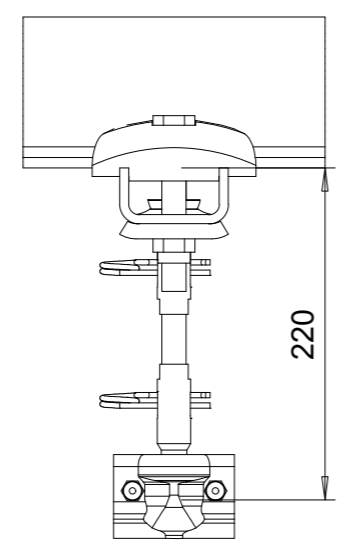
SWF Kranntechnik reserves the right to alter or amend the above information without notice.  
 This document and the information contained herein is the exclusive property of SWF Kranntechnik and represents a non-public,  
 confidential and proprietary trade secret that may not be reproduced, disclosed to third parties, altered or otherwise employed in any  
 manner whatsoever without the express written consent of SWF Kranntechnik GmbH. Copyright © SWF Kranntechnik. All rights reserved.

Pos	Amount	Description	Specification
		scgdma/Germany	
		Design	Chd Appd Ref drawing DAS / M@ngo Vx proj
		2019.03.14	
		Date	Single girder crane ST 125 kg x 10000 mm
		Dept	0
			catalogue
			scgdma-000039-1-51911346-O-RA



REV	CHANGE DESCRIPTION	ECN	DATE	REVISED BY	APPROVED BY
-----	--------------------	-----	------	------------	-------------

A  
B  
C  
D  
E  
F  
G  
H



A1  
UPPER SUSP.BRACKET A SUITS FOR:  
I 140-320  
IPE 140-270  
HE-B 100-120

SWF Kramtechnik reserves the right to alter or amend the above information without notice.  
 This document and the information contained herein is the exclusive property of SWF Kramtechnik and represents a non-public,  
 confidential and proprietary trade secret that may not be reproduced, disclosed to third parties, altered or otherwise employed in any  
 manner whatsoever without the express written consent of SWF Kramtechnik GmbH. Copyright © SWF Kramtechnik. All rights reserved.

Pos	Amount	Description	Specification
		scgdma/Germany	DAS / M@ngo
		Design	Chd Appd Ref drawing Vx proj
		2019.03.14	
		Date	Single girder crane ST 125 kg x 10000 mm
		Dept	0
		<b>SWF</b> KRANTECHNIK	catalogue
			scgdma-000039-1-51911346-0-S